

# Valve (un)mounting RVM

## materials

VALVE RVM



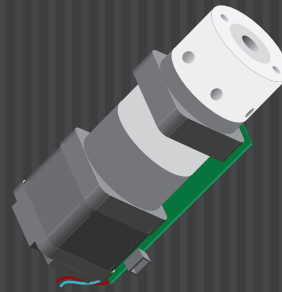
SPARE VALVE (WITH PLUG)



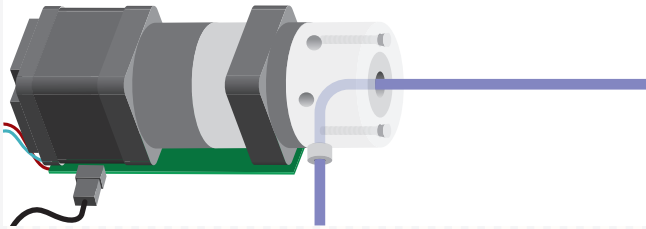
ISOPROPANOL

## tools

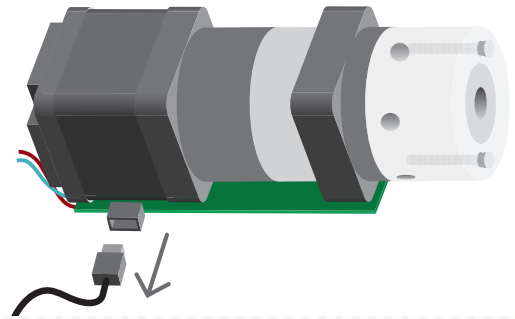
ALLEN KEY



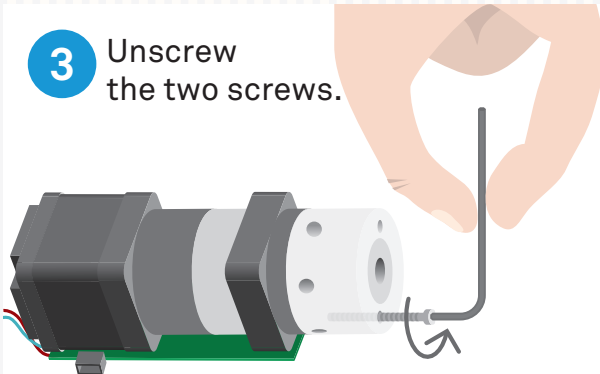
- 1 Pass isopropanol through valve using pump or syringe.



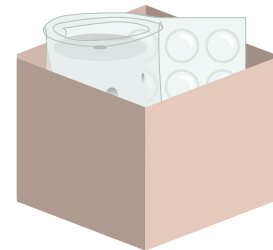
- 2 Unplug.



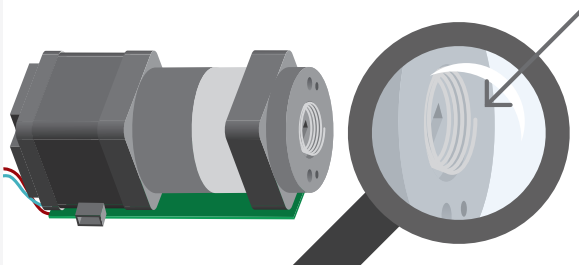
- 3 Unscrew the two screws.



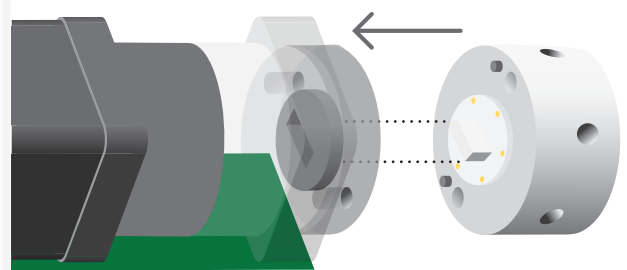
- 4 Let dry.  
Store with bubble wrap.



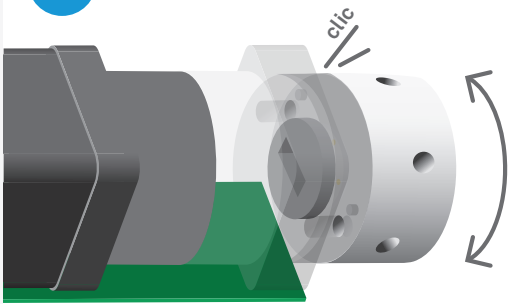
- 5 If RVM - Low Power, check that the spring is still in place.



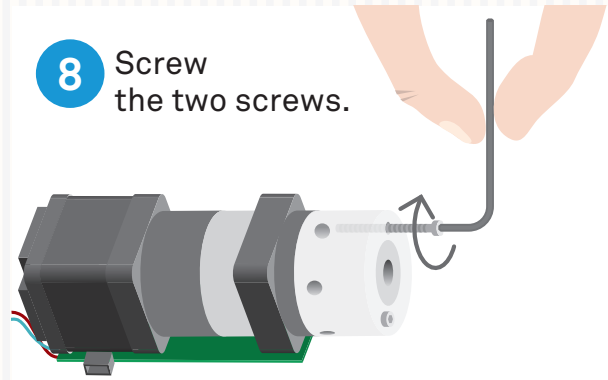
- 6 Align new plug with motor shaft.



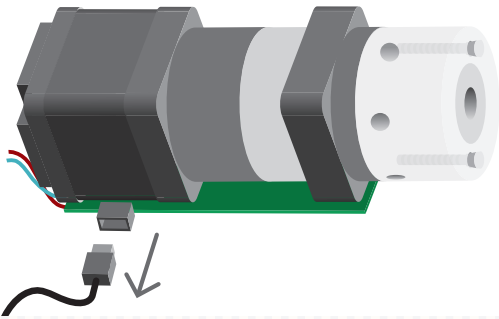
**7** Align pins.



**8** Screw the two screws.



**9** Replug.



**10** Check port number config.  
Send command `/!801`.  
Answer must be: number of port.  
If not, change with `/!80<n>`,  
where `<n>` is the number of ports.