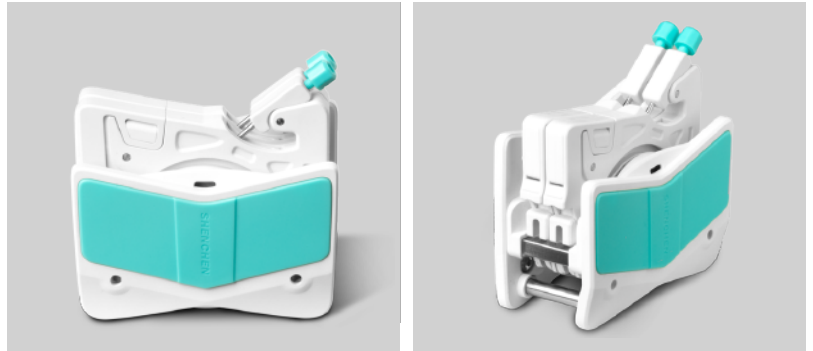


Multichannel Pump Head



Model No. : AMC
Flow Rate : 0.0002-60mL/min



Product Features

- Flexible positioning mechanism, users can install and remove cartridge easily.
- Flexible pressure tube design to extend the service life of the tube.
- Stepless adjustment of pressure tube gap to improve the transmission accuracy between channels.
- 304 stainless steel roller assembly, two types roller structures: 6 rollers and 10 rollers.
- Multichannel, low flow rate transferring, compact structure, suitable for instrument supporting.

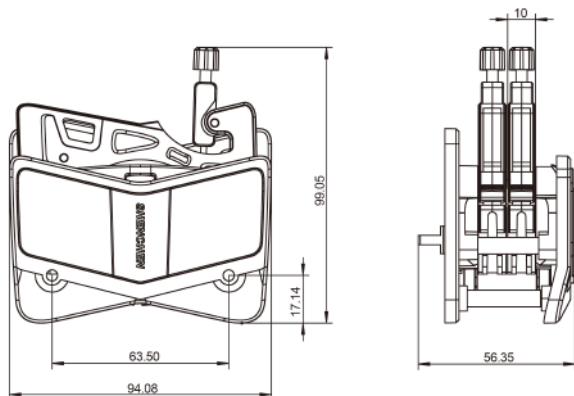
Model Number

AMC1, AMC2, AMC3, AMC4, AMC5, AMC6, AMC8, AMC10, AMC12

Typical Application

- Support blood sugar analytical device.
- Support ammonian analytical instrument.

Dimension Drawing (Unit:mm)



Note: Increasing or reducing one channel, the pump head size need to increase or reduce the thickness of one cartridge.



Flow Rate

AMC Series pump head Technical Specifications									
Channel number	1	2	3	4	5	6	8	10	12
Cartridge material	POM/PVDF								
Rollers number	10 rollers, 6 rollers								
Tubing	Speed	Flow rate of pump head with 10 rollers (mL/min)	Flow rate of pump head with 6 rollers (mL/min)	Tubing Max.Pressure(Mpa)					
				Intermittent	Continuous				
1×1	0.1~150rpm	0.0050~7.55	0.0062~9.36	0.1	0.1				
2×1		0.0183~27.52	0.0220~33.06						
2.4×0.8		0.0254~38.13	0.0319~47.81						
3×1		0.0323~48.38	0.0434~65.17						
0.13×0.86		0.0002~0.29	0.0002~0.31						
0.19×0.86		0.0003~0.44	0.0003~0.46						
0.25×0.86		0.0005~0.76	0.0005~0.80						
0.51×0.86		0.0013~2.00	0.0014~2.05						
0.89×0.86		0.0030~4.47	0.0031~4.65						
1.14×0.86		0.0061~9.16	0.0065~9.74						
1.42×0.86		0.0125~18.75	0.0142~21.28						
2.06×0.86		0.0197~29.60	0.0234~35.17						
2.79×0.86		0.0286~42.86	0.0372~55.77						

Tubing Installation



1. Easily press the elastic lock arm mechanism to open the cartridge.



2. After the cartridge is disconnected, install the tube, the two adjacent tube stoppers determine a working position.



3. Press the cartridge to make the cartridge enter the working position.



4. Pull the pressing device to enter the pressure tube state.



5. Installation finished.