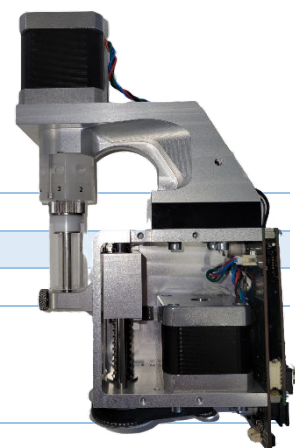


SPM/P101-O High-Volume Sequential Microdispenser

DATASHFT



Advanced Microfluidics



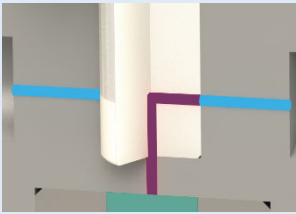
Environmental conditions

Operating temperature	15-45°C (59-113°F)
Humidity	20-80%, non-condensing
Max pressure	5 bars (72 psi)

Fluidic characteristics

Tube port fittings	¼-28 UNF, flat bottom
Wetted materials	PTFE, PCTFE and borosilicate glass
Channel diameter	0.5 mm (0.020 in) / 0.4-1 mm (0.015-0.039 in) available upon request

Mechanical characteristics

Series	LOW CARRYOVER VOLUME
Liquid path	
Number of channels inside rotary part	1
Number of ports	6 – 8 – 10 – 12
Channel diameter	0.5, 1 mm
Internal volume (with Syringe)	19.1 – 41.1 µL
Carryover volume (with Syringe)	18.1 – 34.0 µL

Glossary reminder

Internal volume: Volume inside the system, from entrance to exit.

Dead volume: Volume that is “stuck” in the system (dead end), which is not cleanly swept and relies on diffusion to clear out.

Carryover volume: Volume of liquid that will be mixed with the next liquid. It is not stuck, but will be swept next time a liquid passes.

PLUNGER AND SYRINGE DETAILS

Travel length	30 mm with 96'000 micro-steps
---------------	-------------------------------

Advanced Microfluidics SA
Chemin de la Dent d'Oche 1a
CH-1024 Ecublens, Switzerland
Phone: +41 (0)21 552 14 30
Email: info@amf.ch
Web: www.amf.ch

SPM/P101-O High-Volume Sequential Microdispenser

DATASHEET



Advanced Microfluidics

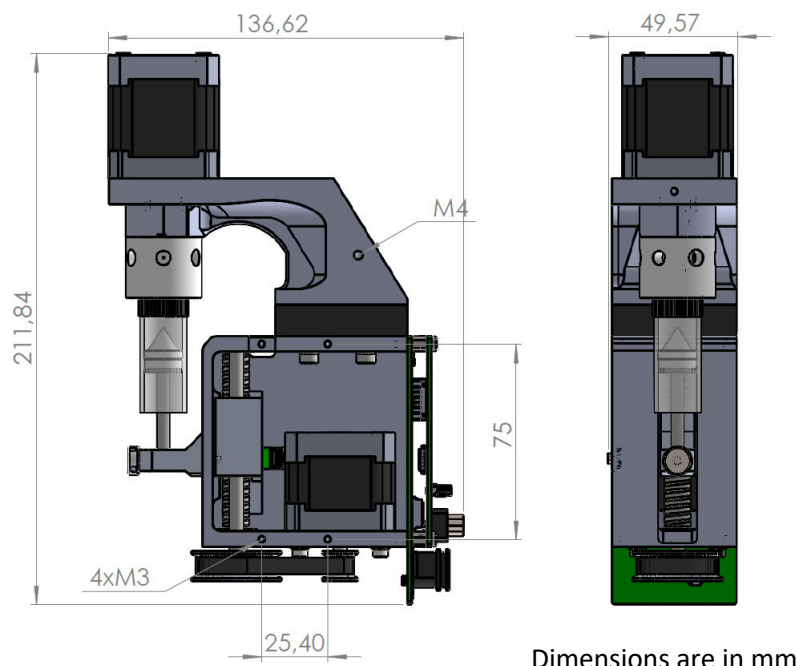
Resolution	Selectable 3'000 steps or 24'000 steps
Volume	2.5 - 5 mL
Drive	Screw drive with linear encoder for step loss detection
Plunger material	PTFE (or UHMW-PE upon request)
Accuracy	≤ 1.0 % at full stroke

COMPATIBLE SYRINGE MODELS

Ref. #	Plunger material	Syringe volume [mL]	Min. flow rate [μL/min]	Max. flow rate [μL/min]	Min. dosing volume [μL]
S-2500-B-P-N	PTFE (or UHMW-PE)	2.5	25	75'000	5
S-5000-B-P-N	PTFE (or UHMW-PE)	5	50	150'000	10

COMPLETE MODULE (Ref. P101-O)

Dimensions	211.84 x 136.62 x 49.57 mm
Weight	1.6 Kg
Default configuration	5 mL syringe with PTFE plunger (S5000-B-P-N) 6-position valve with low carryover volume (VD1-6-050)
External fixation system	4x M3 screws



Electrical characteristics

Power	18-24 VDC, 2.2 A peak
Required cables for operation	USB mini to USB, Power cord (power jack 2mm)

Communication and Hardware interface

Interface	USB mini, RS-232 or RS-485
Communication type	Serial communication

The valve controller is seen as a virtual serial port. There is an on-board FTDI USB to serial chip, so the drivers are automatically installed on recent Windows 7 and above.

SERIAL COMMUNICATION PARAMETERS

Baud rate	9600
Data Bit	8
Parity	None
Stop Bit	1
Handshake	None
End line	<CR>

View the SPM operating manual for the extensive command set.

SPM/P101-O High-Volume Sequential Microdispenser

DATASHEET



Advanced Microfluidics

Revisions

Version	Author	Release Date	Modifications	Revised By	Approved By
01.01	PGI	03/11/2023	Initial release	RRY	RRY

The information and data contained in this documentation is subject to change without notice. The reproduction, distribution, and utilization of this document as well as the communication of its contents to others without explicit authorization is prohibited.

All rights reserved in the event of the grant of a patent, utility model or design.

The general terms and conditions of Advanced Microfluidics SA apply. Alternative agreements must be in written form.

Advanced Microfluidics SA shall not be liable for errors contained in this document or for incidental or consequential damages in connection with the furnishing, performance, or use of this material.