

Quick Load Pump Head



Model No. : EasyPump(pressure adjustable)
Flow Rate : 0.0053-3100mL/min



Single Channel



Dual Channel

Product Features

4 rollers, low pulsation, high precision.

The tube clamp linkage mechanism makes it more convenient to install the tube.

The rubbing wheel adjustment mechanism can easily fix different size tube.

The lever assist mechanism makes the operation more easy.

The tube pressure gap fine-tuning mechanism can adjust the pressure, extend the life of the tube and improve the dispensing accuracy.

Two tubes can be installed at the same time to realize single pump head with two channels.

Parameter

Pump Head	Single/Dual Channel	Tubing Wall Thickness(mm)	Pressure Adjustable
EasyPump III	Single Channel	1.6	Adjustable
EasyPump IV	Single Channel	2.4	Adjustable
EasyPump VI	Dual Channel	1.6	Adjustable



EasyPump Series (Pressure Adjustable)



EasyPump-PPSG Series (Pressure Adjustable)



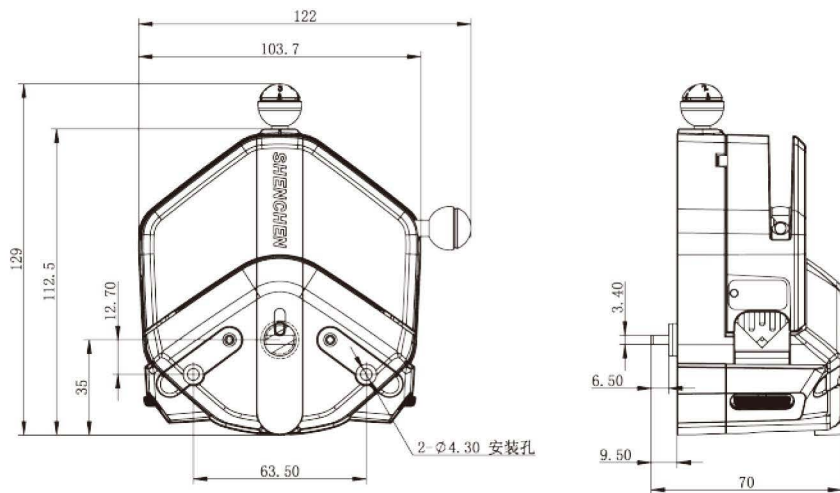
EasyPump-PPSY Series (Pressure Adjustable)



Flow Rate

Pump Head	Tubing	ID×Wall thickness(mm)	mL / r	Flow Rate(mL/min) (0.1-600rpm)	Tubing Max.Pressure(Mpa)		Weight(kg)
					Intermittent	Continuous	
Single Channel EasyPump III	13#	0.8×1.6	0.053	0.0053~32	0.27	0.17	0.6
	14#	1.6×1.6	0.27	0.027~162			
	19#	2.4×1.6	0.55	0.055~330			
	16#	3.1×1.6	0.933	0.093~560	0.24	0.14	
	25#	4.8×1.6	1.967	0.197~1180			
	17#	6.4×1.6	3.333	0.333~2000	0.14	0.10	
	18#	7.9×1.6	4.3	0.430~2580	0.10	0.07	
Single Channel EasyPump IV	15#	4.8×2.4	1.8	0.180~1080	0.27	0.17	
	24#	6.4×2.4	2.733	0.273~1640			
	35#	7.9×2.4	3.833	0.383~2300	0.24	0.14	
	36#	9.6×2.4	5.167	0.517~3100			
Dual Channel EasyPump VI	13#	0.8×1.6	0.0053	0.0053~32	0.27	0.17	
	14#	1.6×1.6	0.27	0.027~162			
	19#	2.4×1.6	0.55	0.055~330			
	16#	3.1×1.6	0.933	0.093~560	0.24	0.14	
	25#	4.8×1.6	1.967	0.197~1180			

Dimension Drawing (Unit:mm)





Tubing Installation



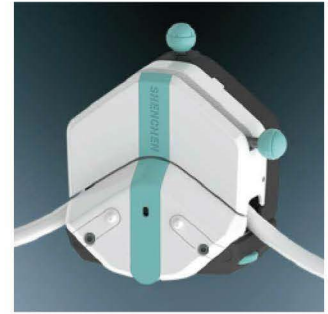
1. Turn the knob anticlockwise 180°, open the upper block.



2. Rubbing wheel adjustment.



3. Put the tube between rollers and upper block, tighten up the tubing lightly.

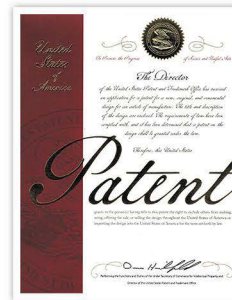
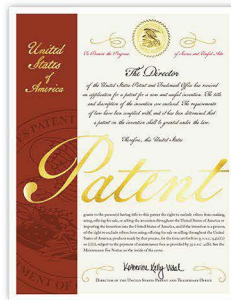


4. Turn the knob clockwise 180°, put the upper block back to original position, fasten the tube.

Invention Patent

Easypump obtained  U.S.

Invention patent and Appearance patent.



Invention Patent No.: US 11,852,136 B2
Appearance patent No.: US D939,692 S

Easypump obtained  EU

Invention patent and Appearance patent.



Invention patent No.: EP3967879
Appearance patent No.: 008005789-0002