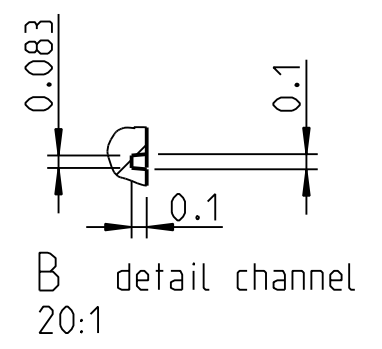
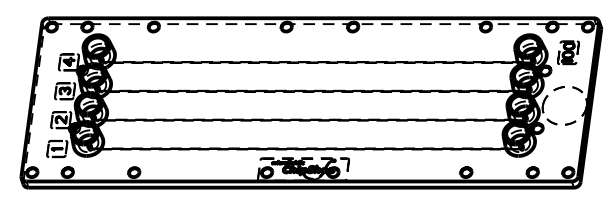


A detail Mini Luer  
10:1



B detail channel  
20:1

all values without dimensions are in mm



		Tolerance ISO 8015 General Tolerance ISO 2768-mK
		Scale 1:1
Straight Channel Chip (4 parallel channels)	Fluidic 144 ML	Created/changed on: 13.01.11
	Page (1/1) Size A3	