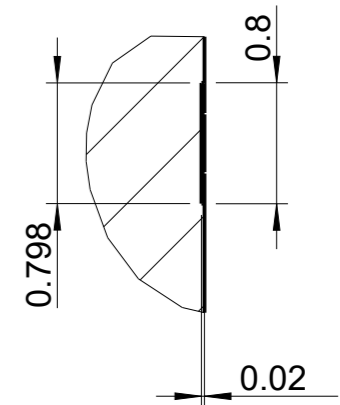


A detail Mini-Luer
10:1



B detail channel
20:1

all values without dimensions are in mm

		Tolerance ISO 8015 General Tolerance ISO 2768-mK
		Scale 1:1
Straight Channel Chip (4 parallel channels)	Fluidic 180 ML	Created/changed on: 27.01.21
	Page (1/1) Size A3	