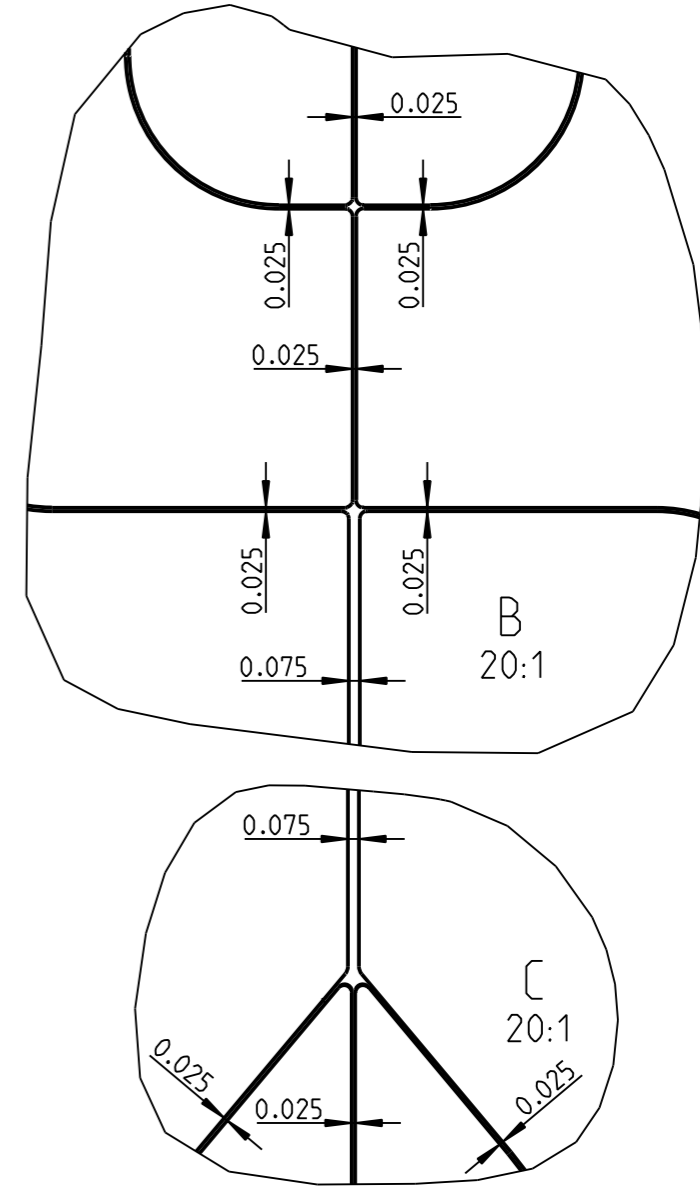
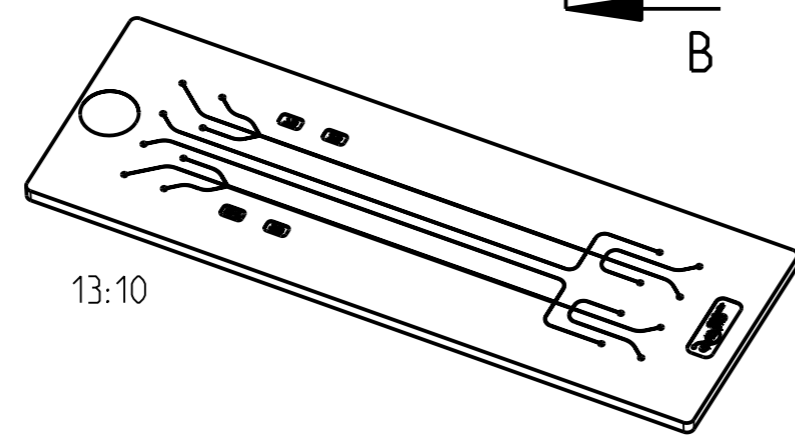
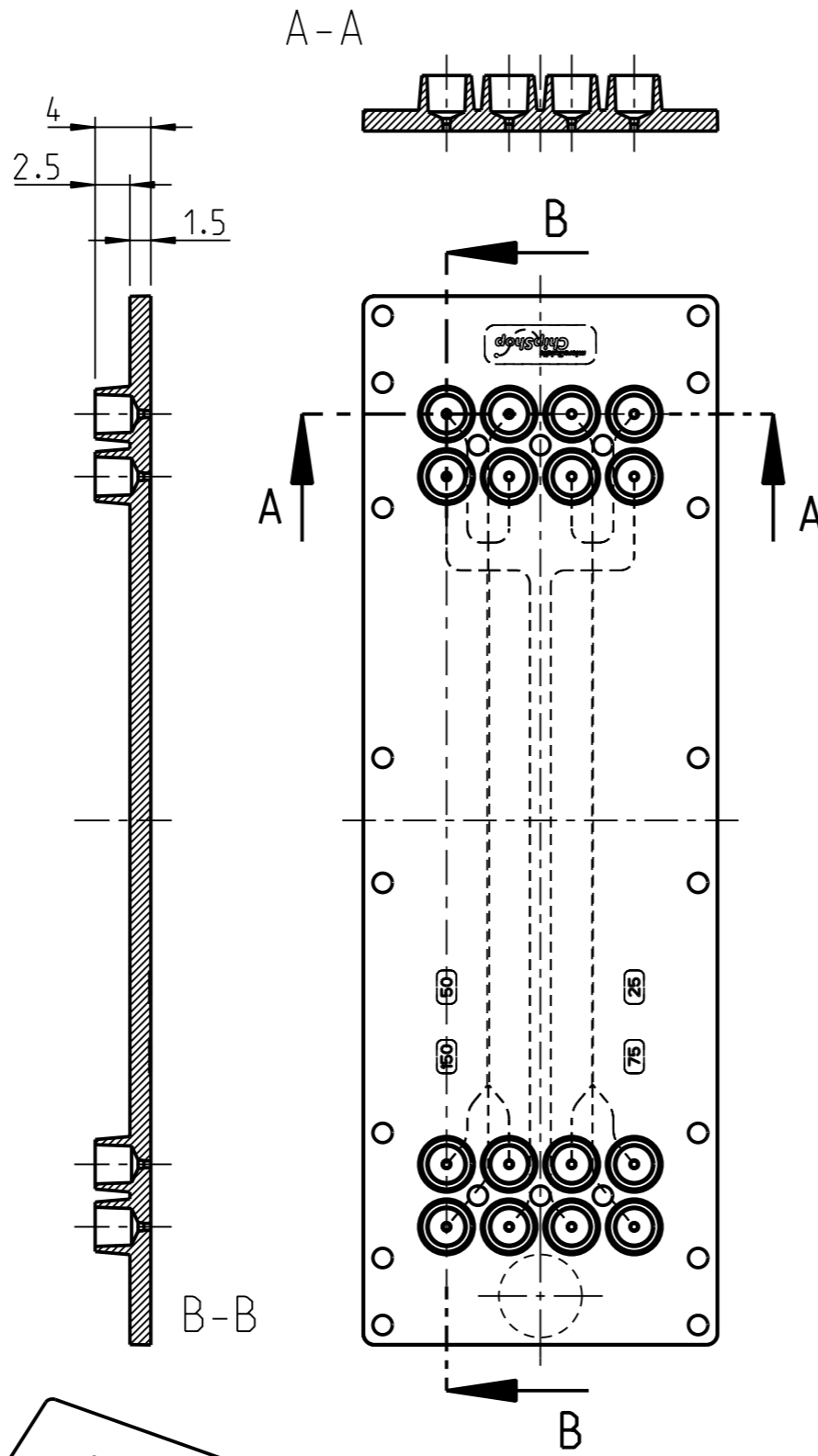
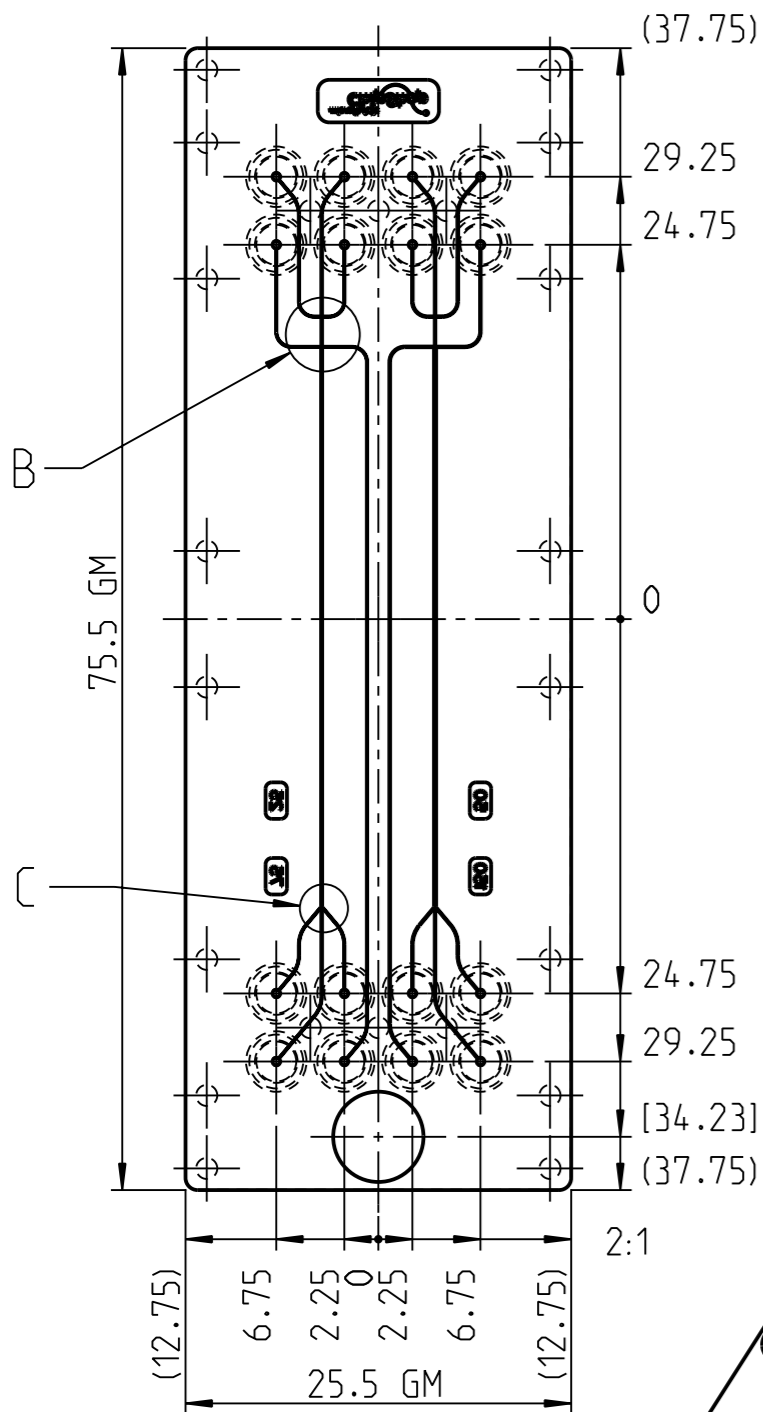


structure 2
single channels
 $W=25\ D=25\ \mu\text{m}$
middle channel
 $W=75\ D=25\ \mu\text{m}$

structure 1
single channels
 $W=50\ D=50\ \mu\text{m}$
middle channel
 $W=150\ D=50\ \mu\text{m}$

details structure 2
single channels
 $W=25\ D=25\ \mu\text{m}$
middle channel
 $W=75\ D=25\ \mu\text{m}$



all values without dimensions are in mm

	Tolerance ISO 8015	
	General Tolerance ISO 2768-mK	
	Cell Sorting Chip	Scale 1:1
	Fluidic 283	Created/changed on: 07.05.2012
	Page (1/1)	
	Size A3	