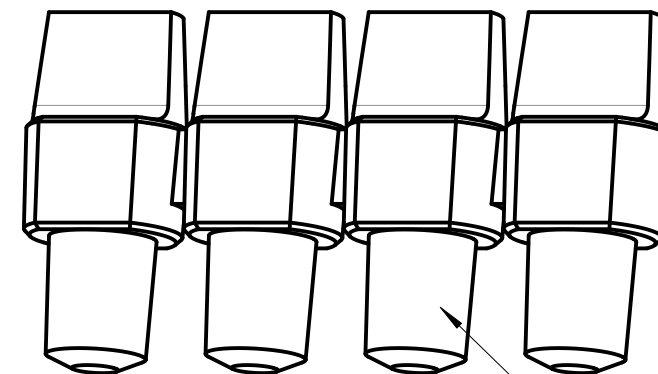
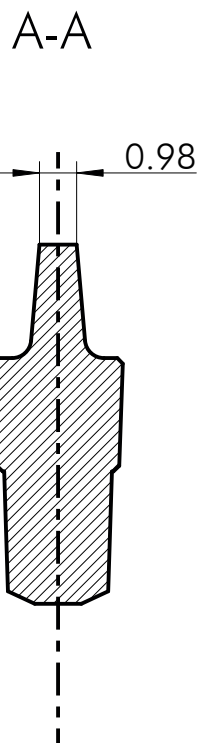
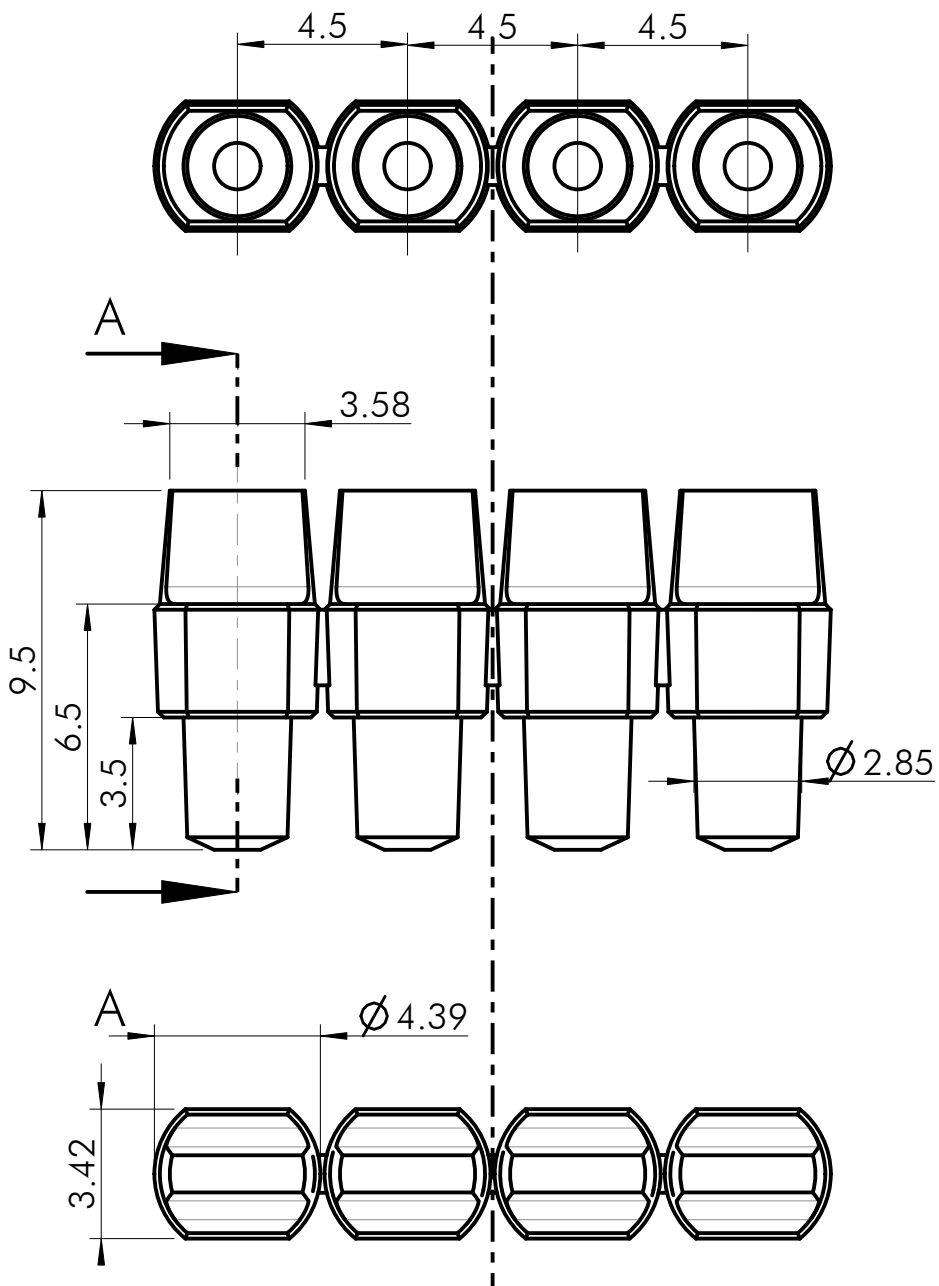




1:1



Mini Luer connector

all values without dimensions are in mm

		Tolerance ISO 8015
		General Tolerance ISO 2768-mK
Male Mini Luer Fluidic Connector (Row of four)	Fluidic 336	Scale 5:1
	Page (1/1)	Created/changed on: 02.06.2020
	Size A4	

M\F00037_A4