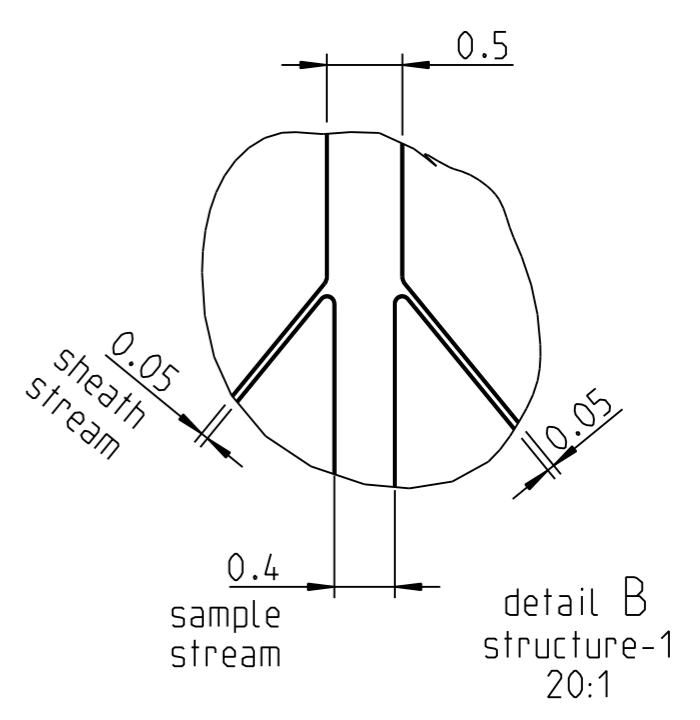
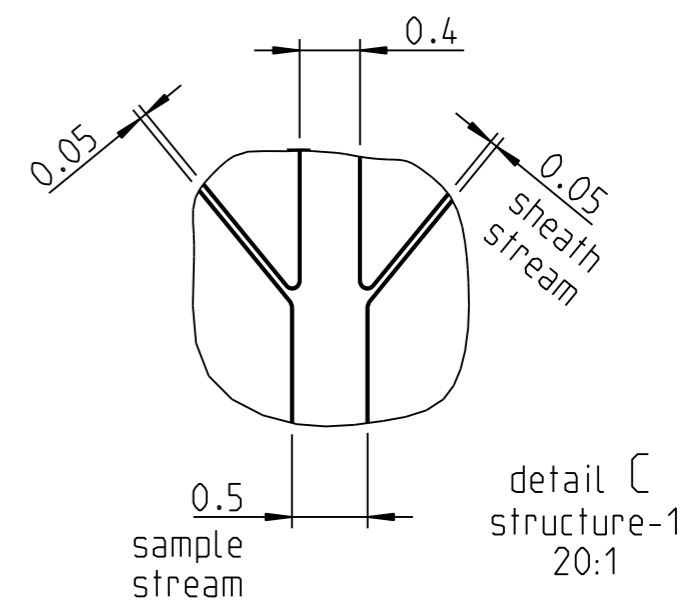
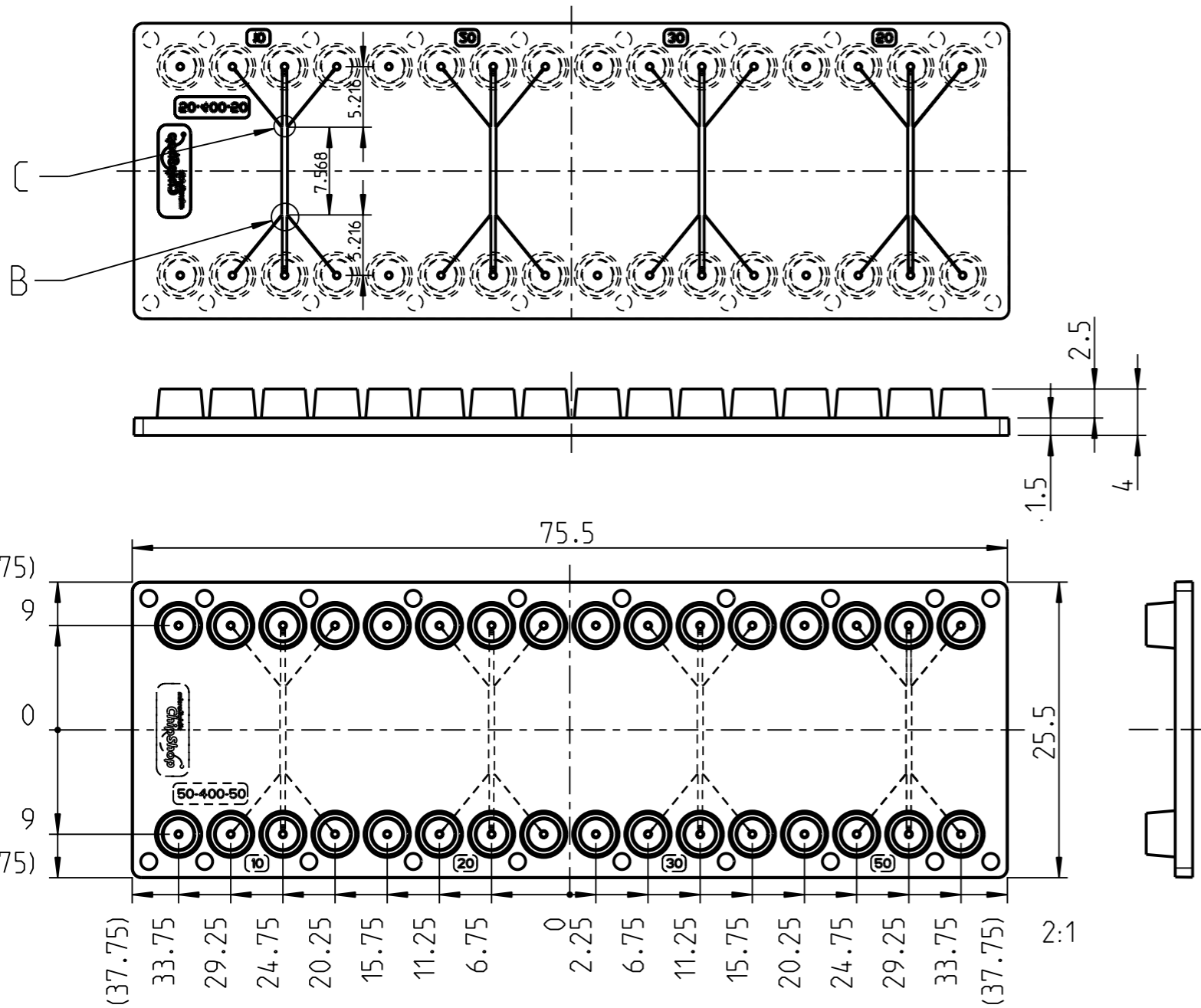
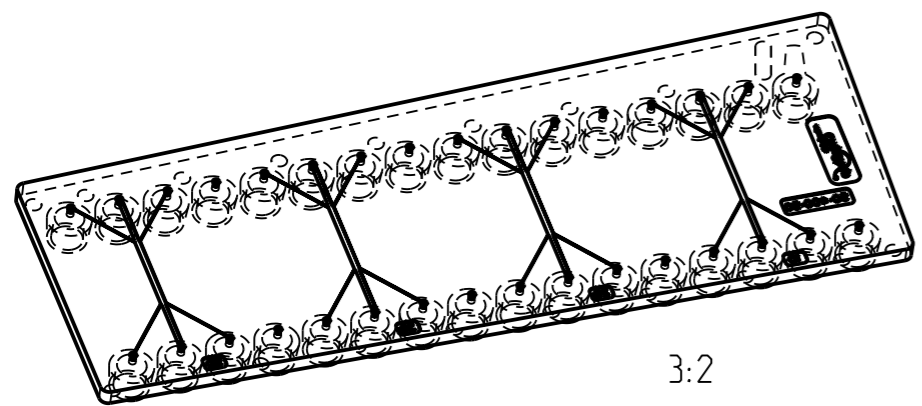


structure-1 single channels  $W=50-400-50 \mu\text{m}$   $D=10 \mu\text{m}$   
 sample chamber  $W=500 \mu\text{m}$   $D=10 \mu\text{m}$   
 structure-2 single channels  $W=50-400-50 \mu\text{m}$   $D=20 \mu\text{m}$   
 sample chamber  $W=500 \mu\text{m}$   $D=20 \mu\text{m}$   
 structure-3 single channels  $W=50-400-50 \mu\text{m}$   $D=30 \mu\text{m}$   
 sample chamber  $W=500 \mu\text{m}$   $D=30 \mu\text{m}$   
 structure-4 single channels  $W=50-400-50 \mu\text{m}$   $D=50 \mu\text{m}$   
 sample chamber  $W=500 \mu\text{m}$   $D=50 \mu\text{m}$



all values without dimensions are in mm



Cell Sorting Chip Fluidic 386 Page (1/1) Size A3	<b>microfluidic</b> <b>ChipShop</b>	Tolerance ISO 8015 General Tolerance ISO 2768-mK
		Scale 1:1
		Created/changed on: 16.11.2012