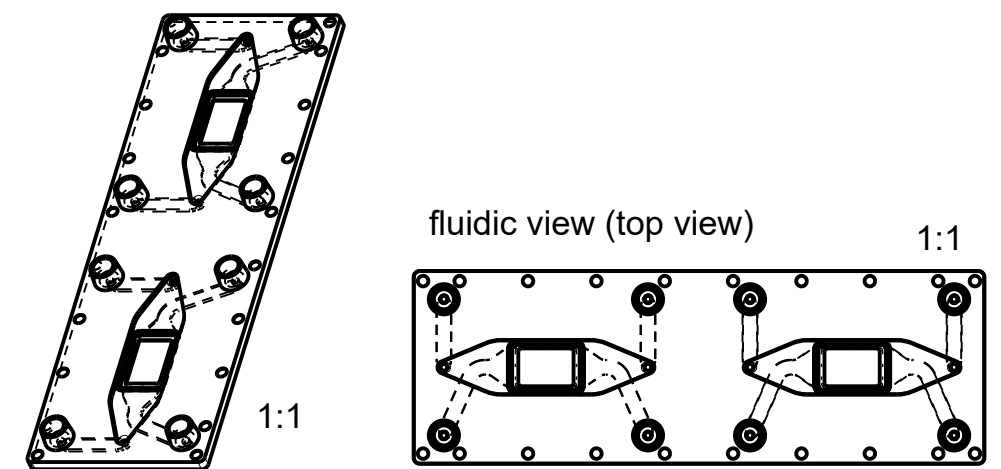
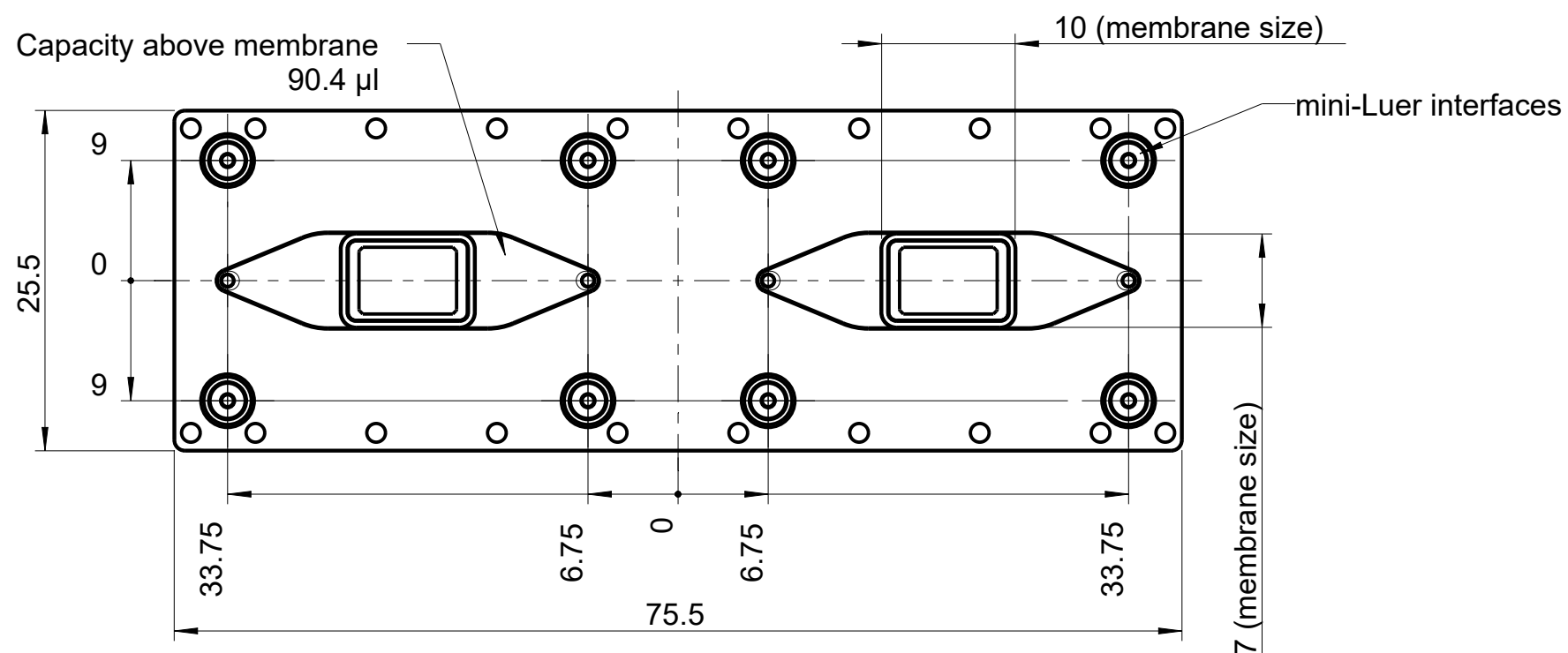


Cavity 1 and Cavity 2 are identical



all values without dimensions are in mm

		Tolerance ISO 8015 General Tolerance ISO 2768-mK
		Scale 2:1
Cross-Flow Membrane Chip	Fluidic 480	Created/changed on: 22.03.2017
	Page (1/1) Size A3	