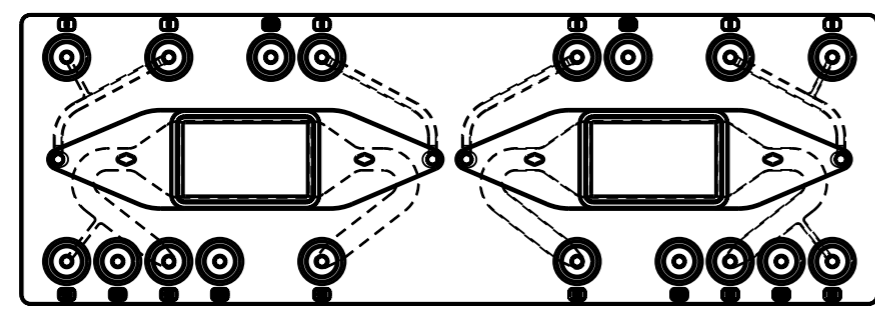
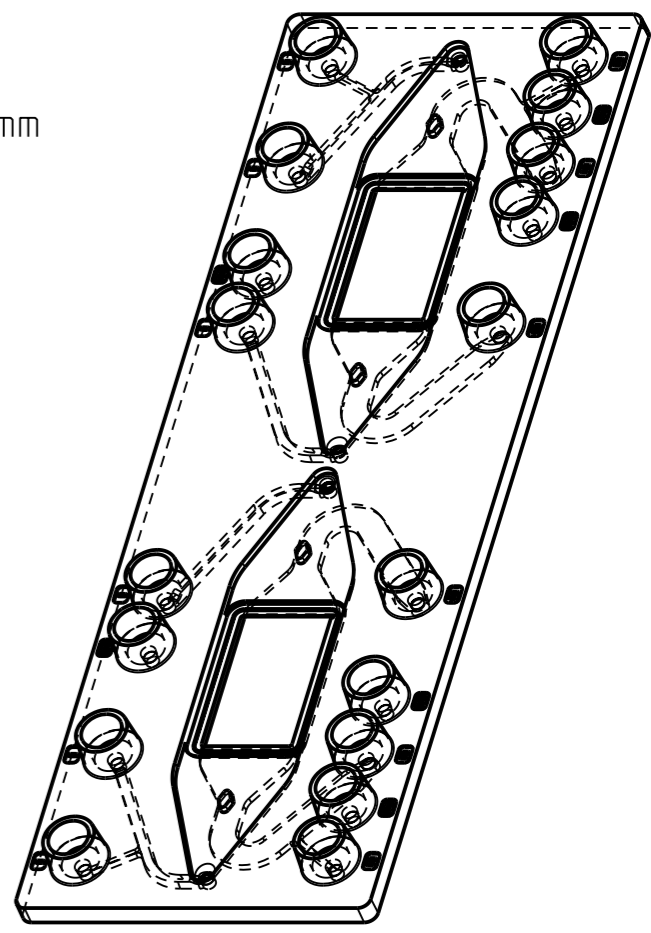
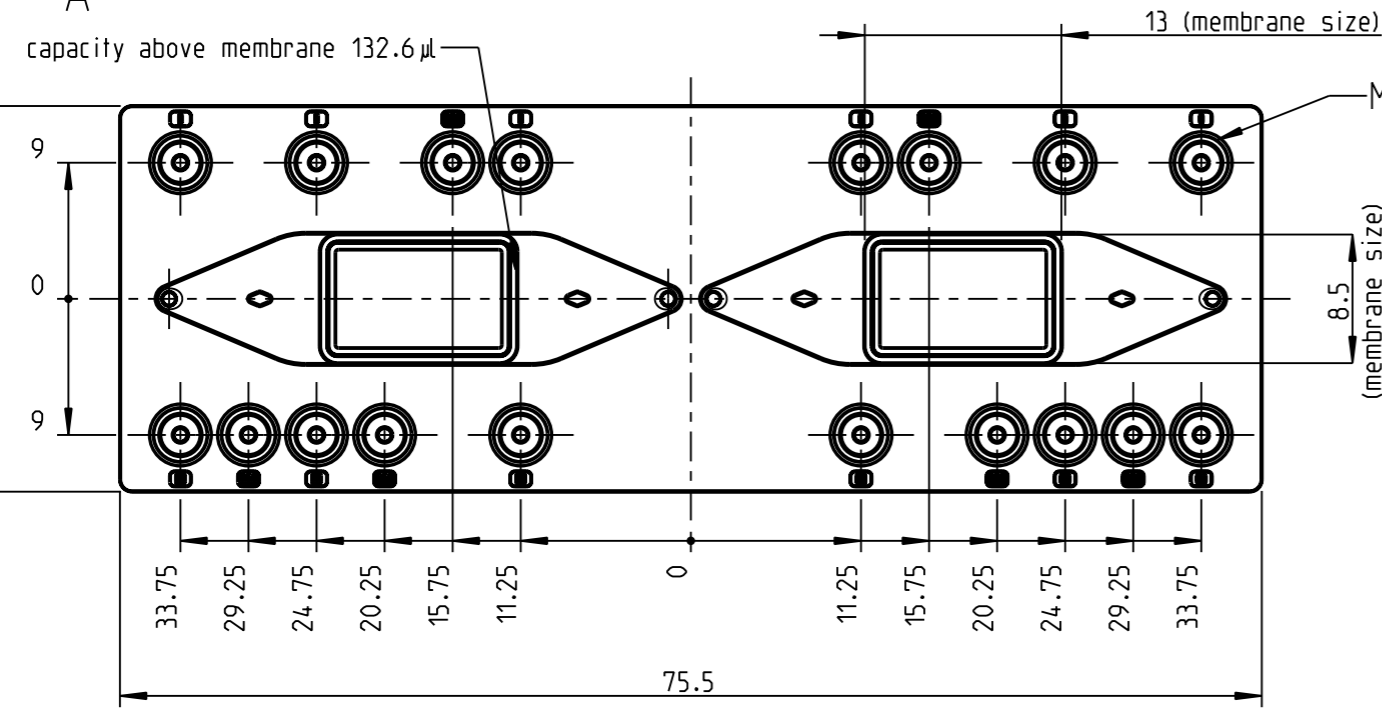


all values without dimensions are in mm
 channel dimensions width x depth
 cavity1 and cavity 2 are identical



transparent top view

all values without dimensions are in mm

		Tolerance ISO 8015 General Tolerance ISO 2768-mK
		Scale 2:1
Cross-Flow Membrane Chip	Fluidic 653	Created/changed on: 06.10.2015
	Page (1/1) Size A3	