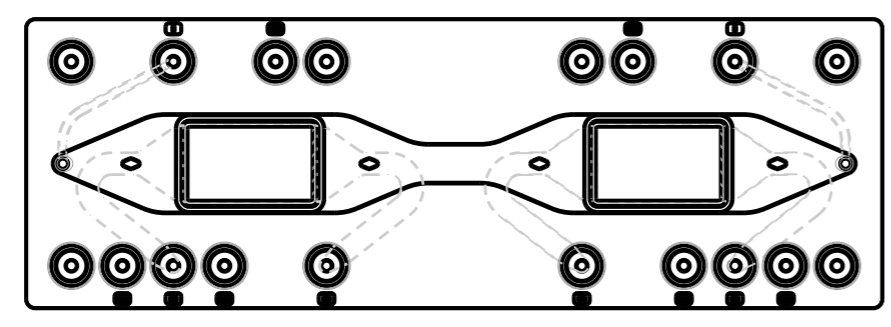
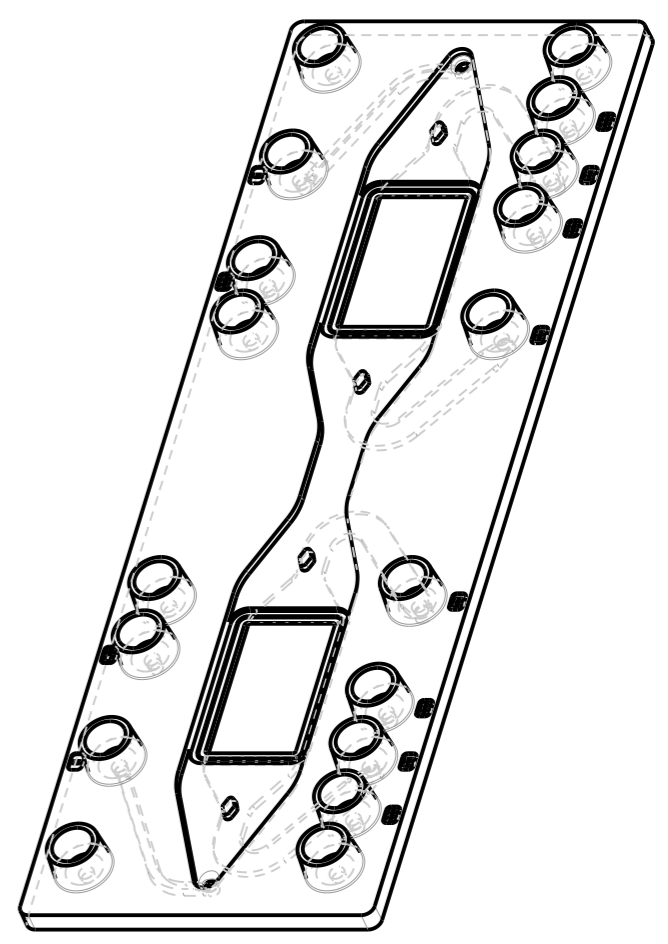
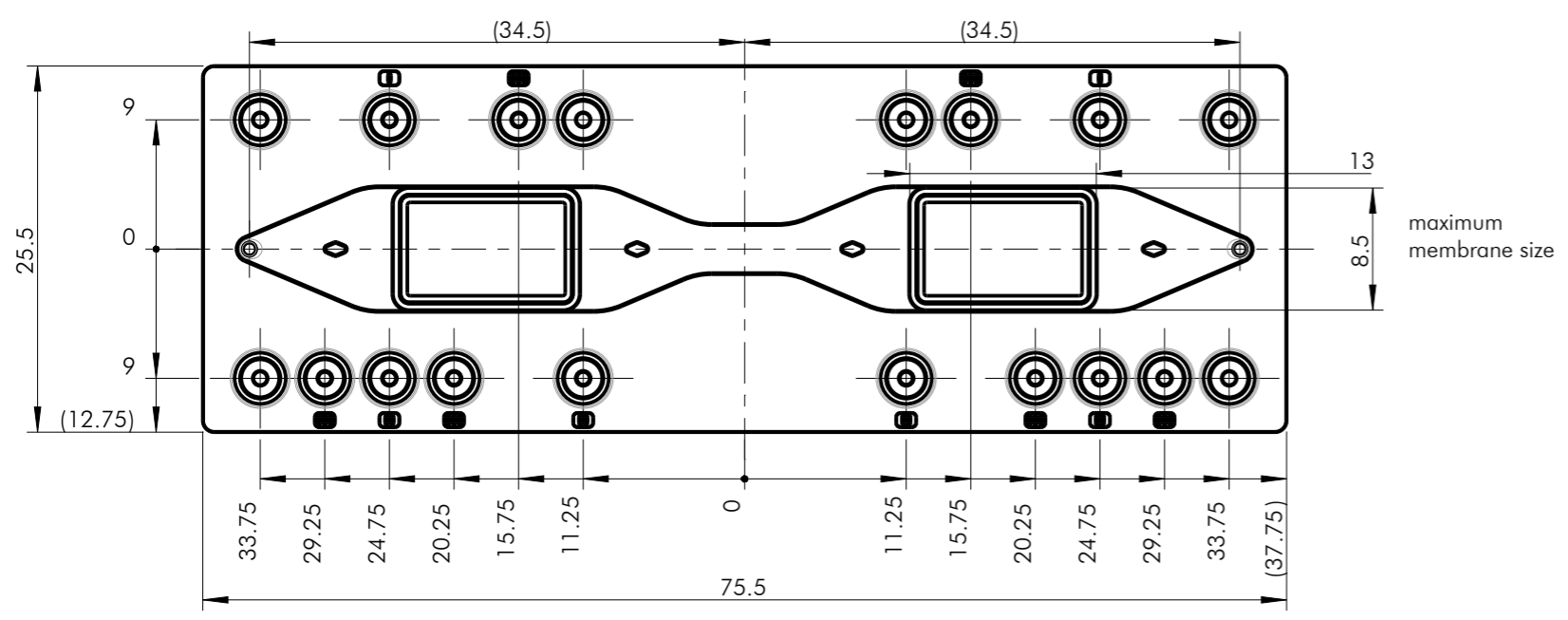
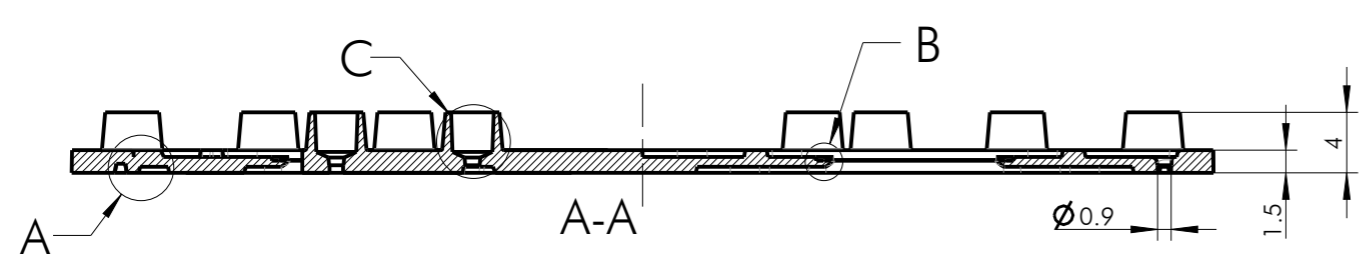
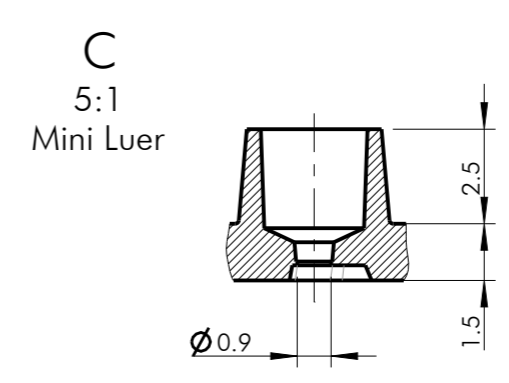
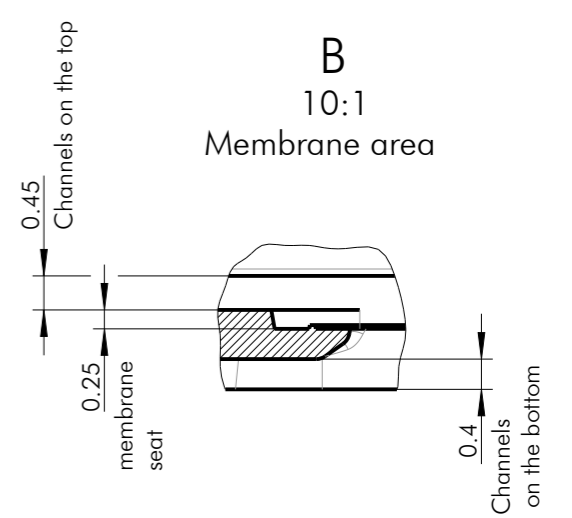
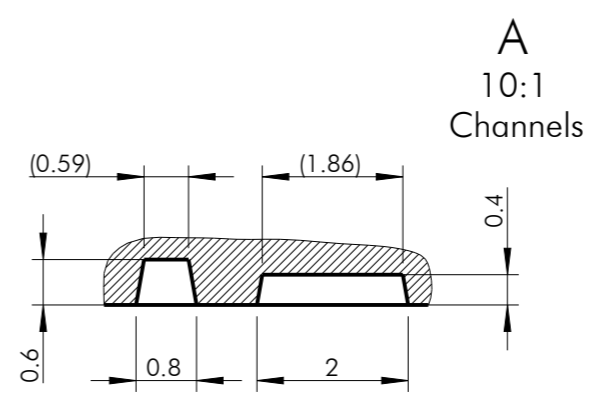
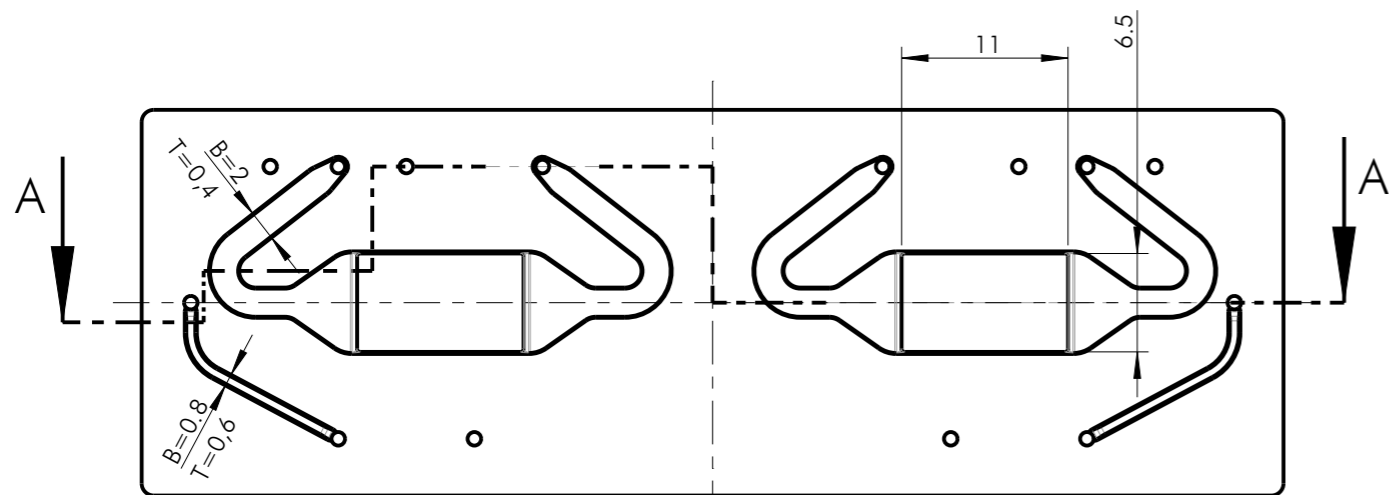


Opening of the membrane



3:2
(approx. 1:1 on A4)

all values without dimensions are in mm

	Tolerance ISO 8015	
	General Tolerance ISO 2768-mK	
	Scale 2:1	
Cross-flow membrane chip	Fluidic 747	Created/changed on: 08.11.2016
	Page (1/1)	
	Size A3	