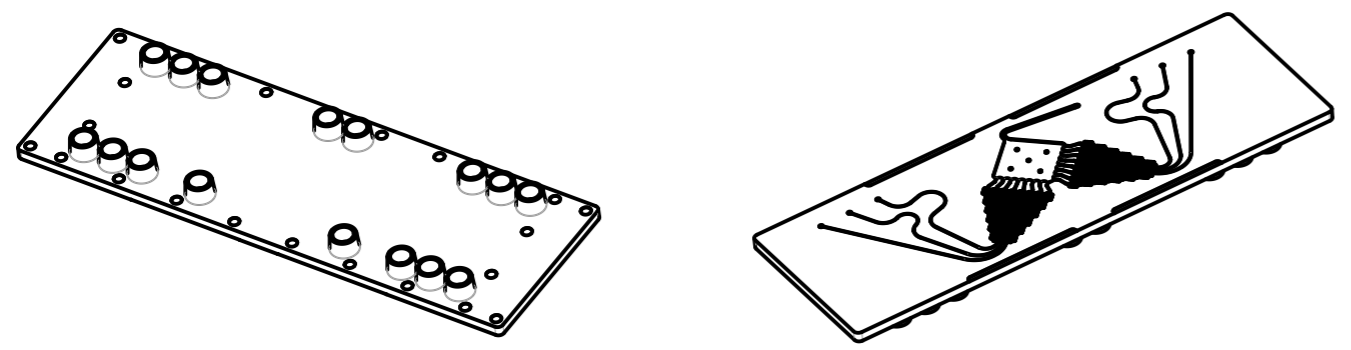
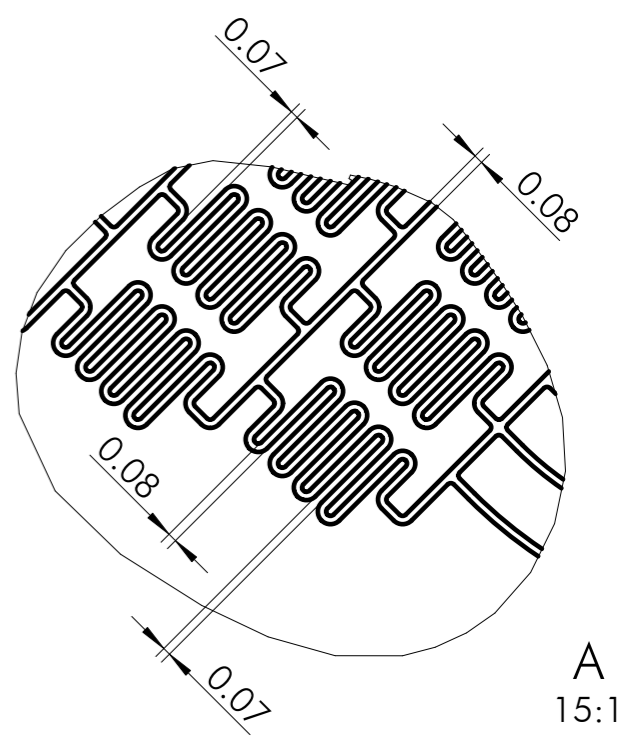
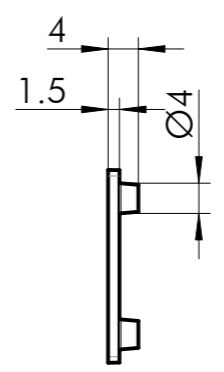
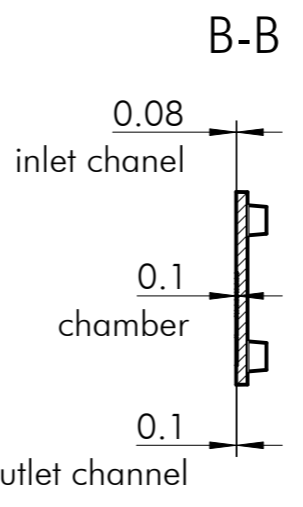
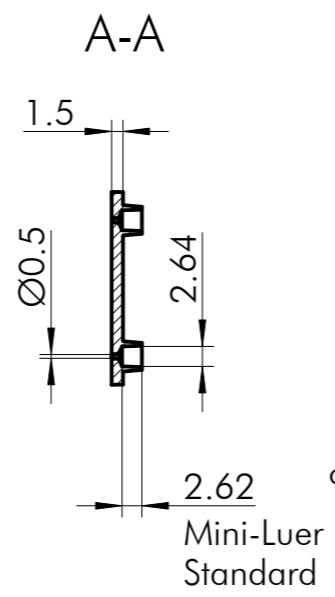
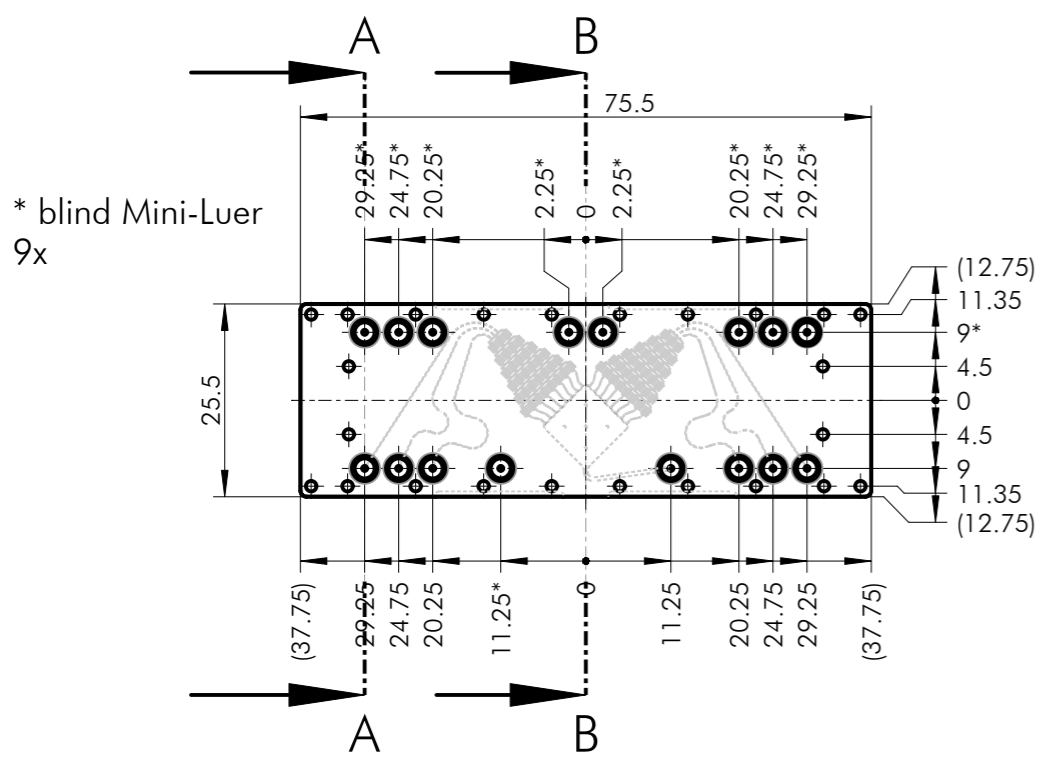
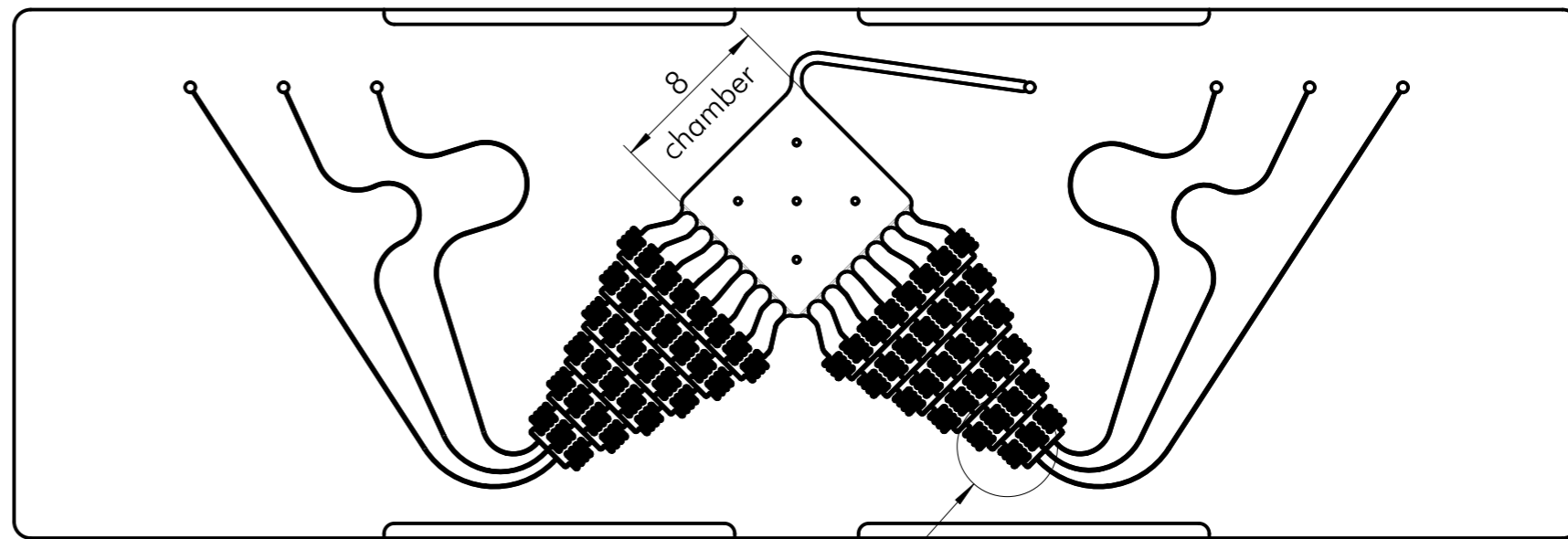


3:1



all values without dimensions are in mm

		Tolerance ISO 8015 General Tolerance ISO 2768-mK
		Scale 1:1
2D Gradient Generator	Fluidic 1166	Created/changed on: 10.08.2020
	Page (1/1) Size A3	