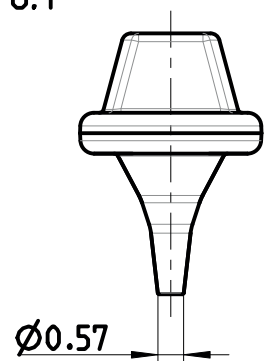


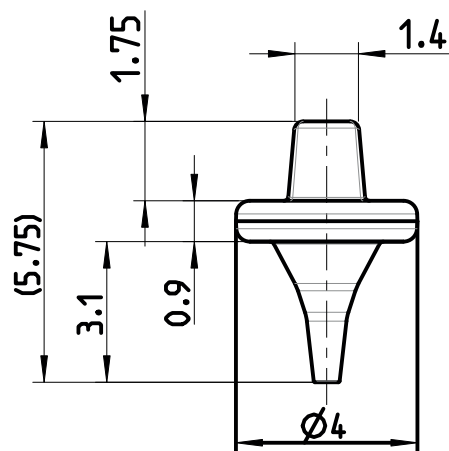


1:1

6:1



$\varnothing 0.57$



(5.75)

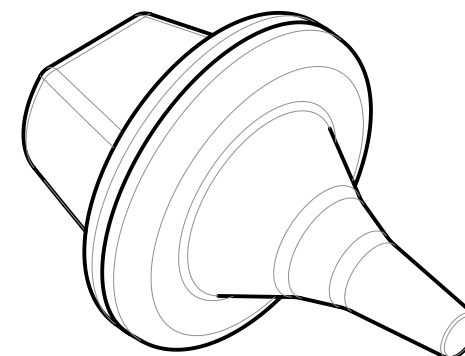
1.75

1.4

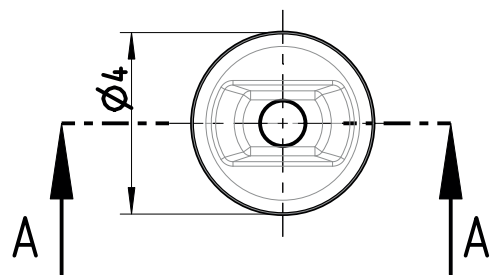
3.1

0.9

$\varnothing 4$



12:1

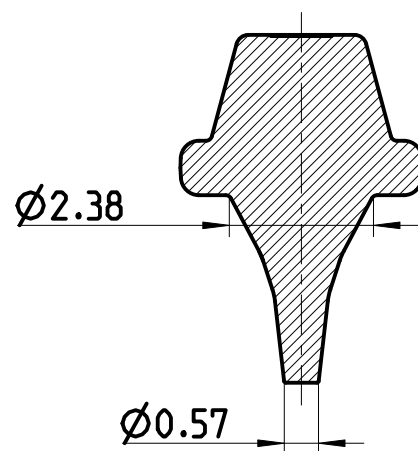


$\varnothing 4$

A

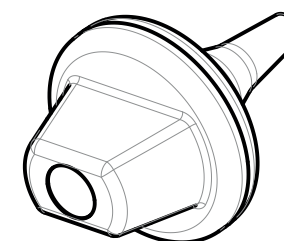
A

A-A
8:1




$\varnothing 2.38$

$\varnothing 0.57$



all values without dimensions are in mm

		Tolerance ISO 8015
		General Tolerance ISO 2768-mK
Pipetting interface plug	Fluidic 1225	Scale 8:1
	Page (1/1)	Created/changed on: 24.10.2023
	Size A4	

MF00037_A4