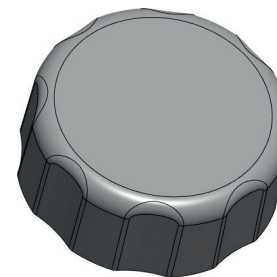
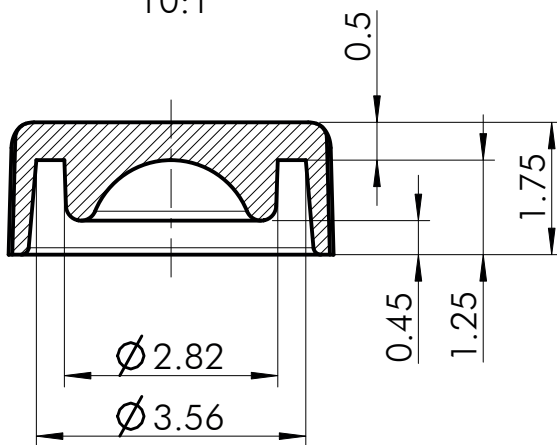


cross section  
A-A  
10:1



all values without dimensions are in mm

	Tolerance ISO 8015	
	General Tolerance ISO 2768-mK	
	Fluidic 1230	Scale 8:1
Mini Luer Flat Cap	Page (1/1)	Created/changed
	Size A4	on: 01.12.2020

M\F00037\_A4