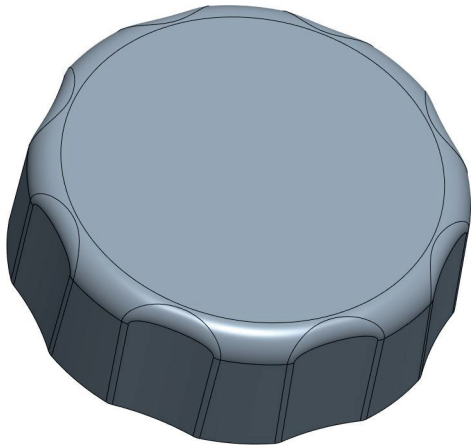


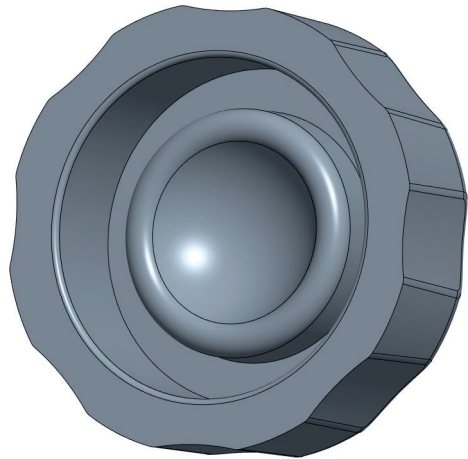


1:1

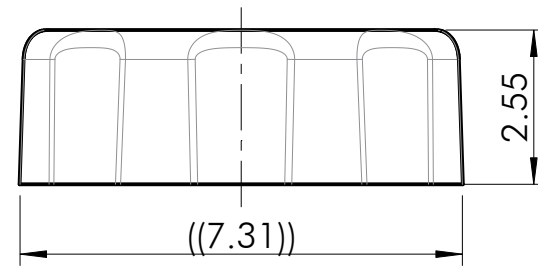
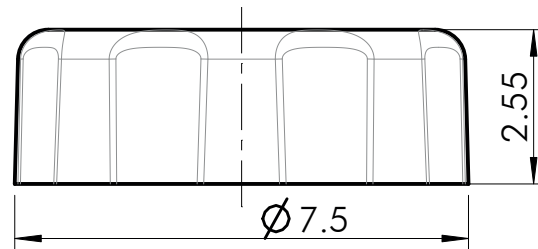


cap for Luer

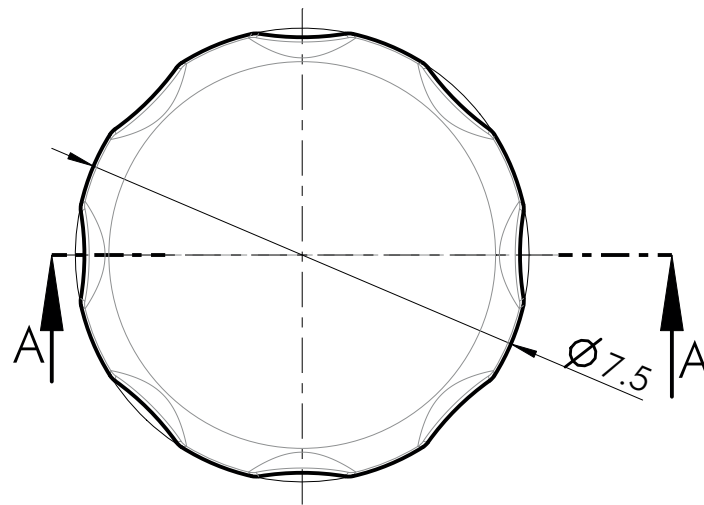
soft polymer material



view rotated

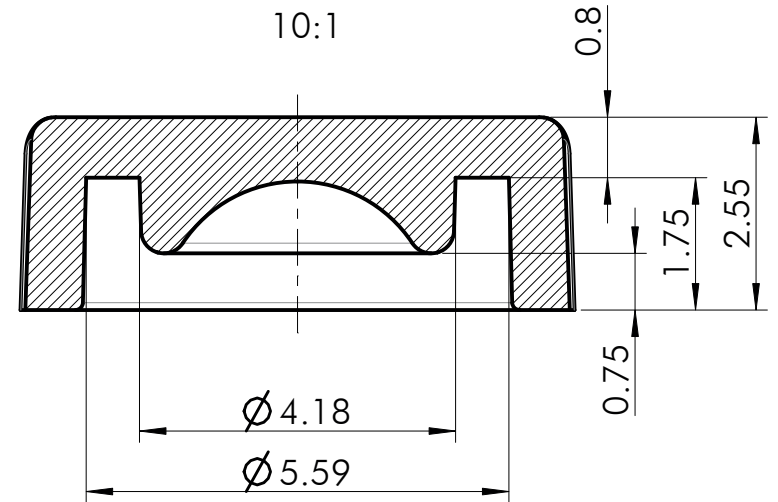


((7.31))
grooves




cross section

A-A
10:1



all values without dimensions are in mm

		Tolerance ISO 8015 General Tolerance ISO 2768-mK
		Scale 8:1
Luer flat cap	Fluidic 1231	Created/changed on: 25.11.2020
	Page (1/1) Size A4	

MAFO0037_A4