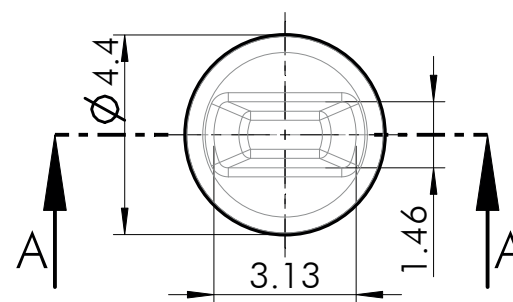
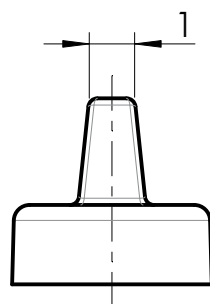
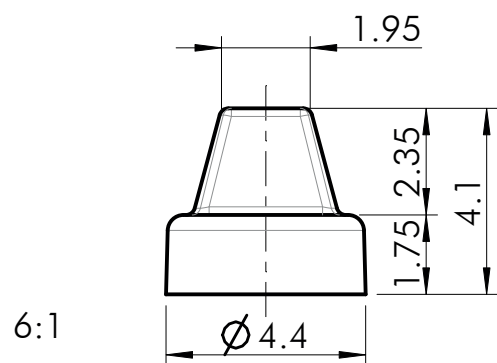


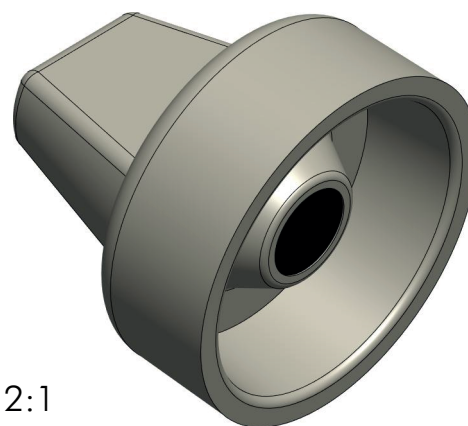
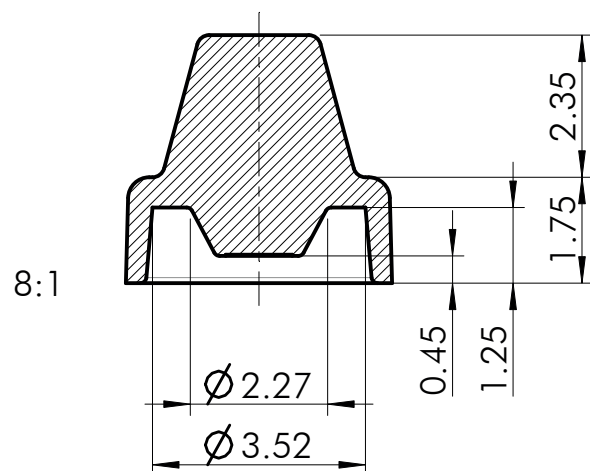


1:1



cross section

A-A



12:1

cap for
Mini-Luer with
pipette tip opening

soft polymer material

all values without dimensions are in mm

		Tolerance ISO 8015 General Tolerance ISO 2768-mK
		Scale 8:1
Mini Luer cap	Fluidic 1262	Created/changed on: 19.01.2021
	Page (1/1)	
	Size A4	

MF00037_A4