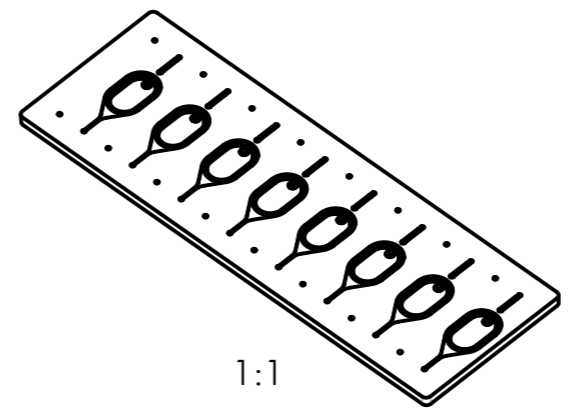
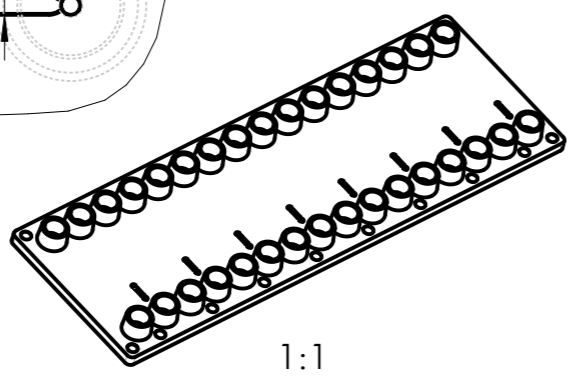
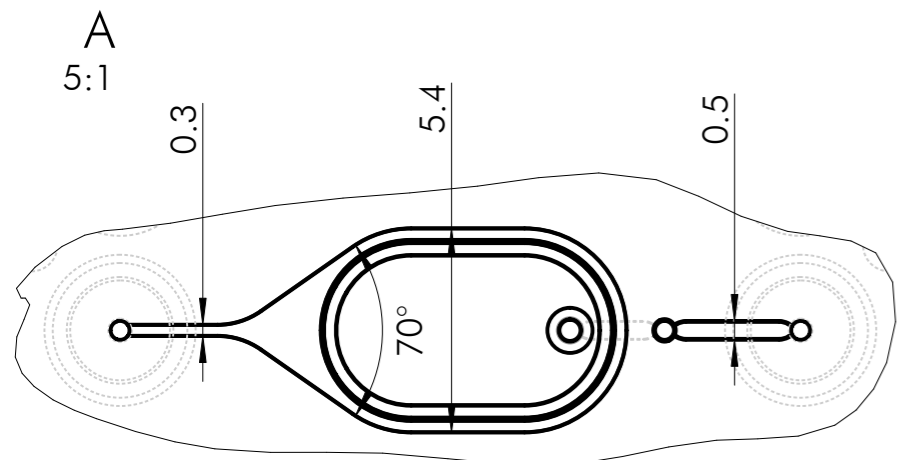


\* chamber below filter



all values without dimensions are in mm

		Tolerance ISO 8015 General Tolerance ISO 2768-mK
		Scale 3:1
Filtration and Separation Chip	Fluidic 1332	Created/changed on: 05.07.2021
	Page (1/1) Size A3	