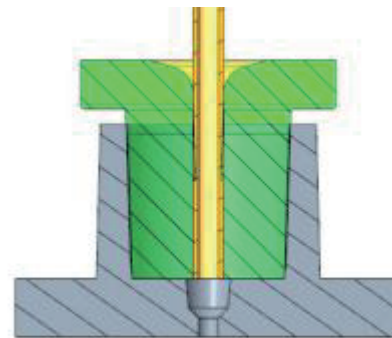
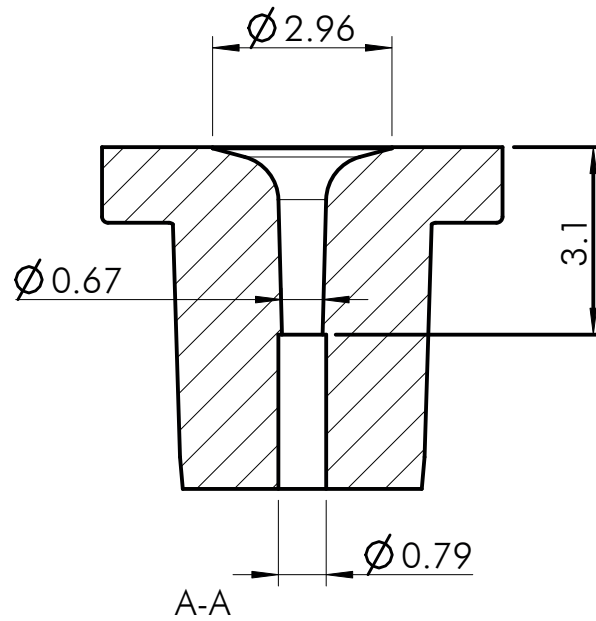
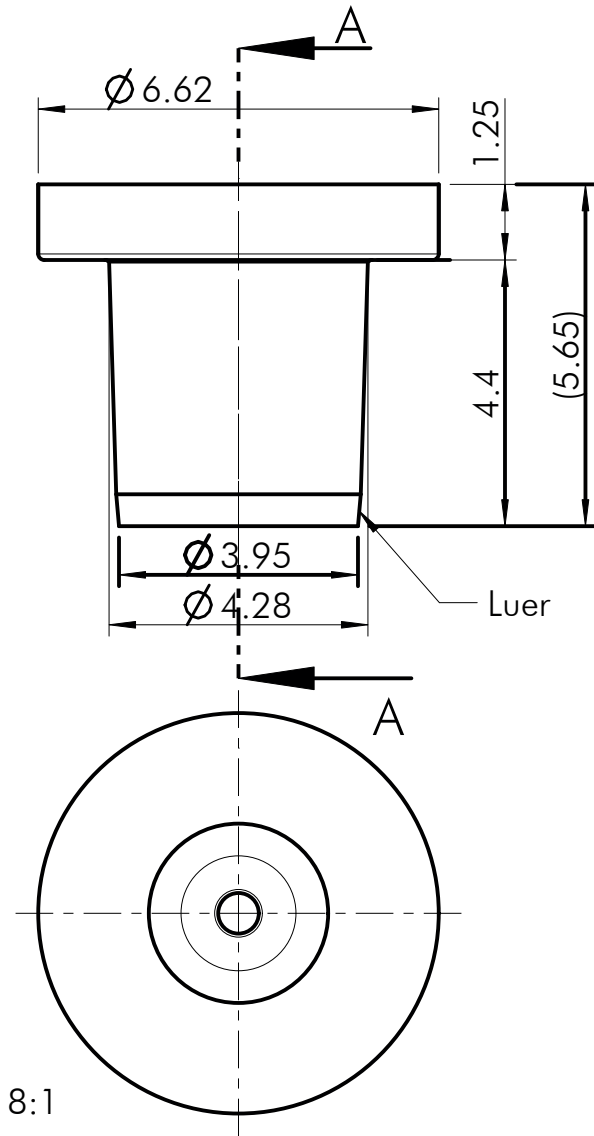


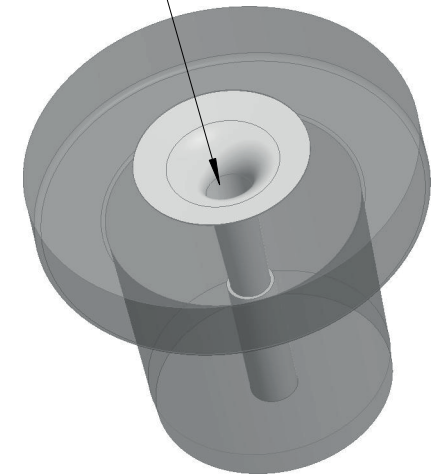


1:1



Tube Tuck Connector for 1/32"-tubing

contour for clamping 1/32" tubing



all values without dimensions are in mm

		Tolerance ISO 8015 General Tolerance ISO 2768-mK
		Scale 8:1
Luer tube tuck connector for 1/32" tubing	Fluidic 1580	Created/changed on: 17.02.2023
	Page (1/1) Size A4	

MF00037_A4