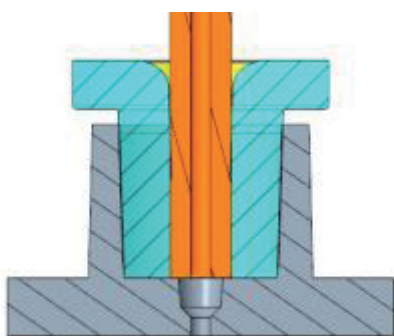
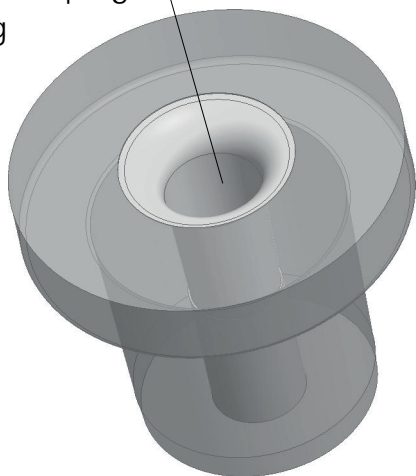
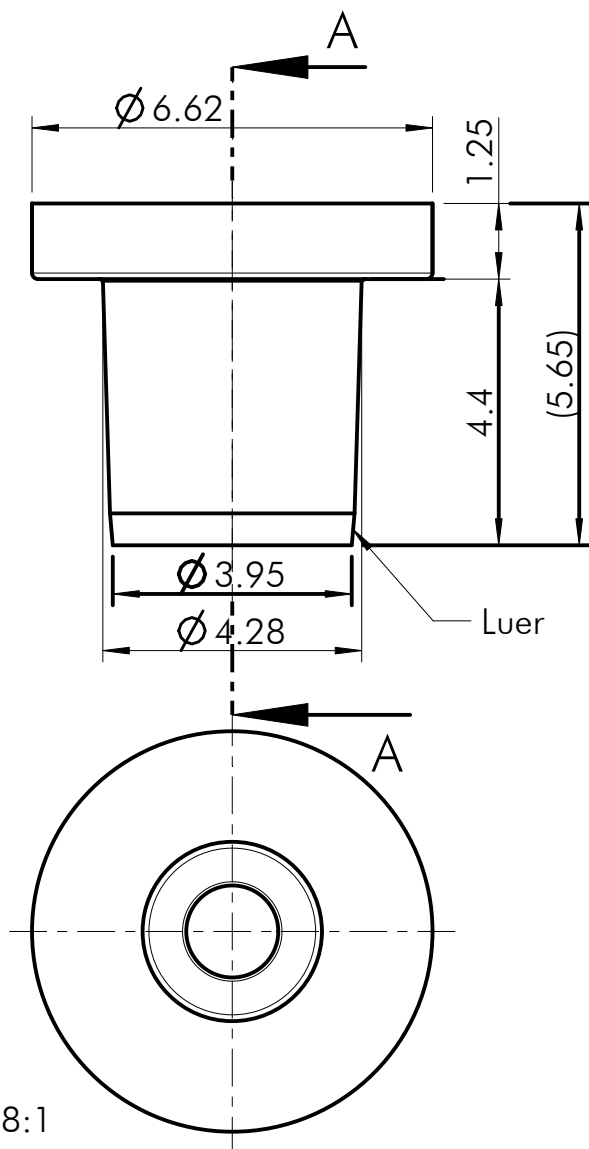


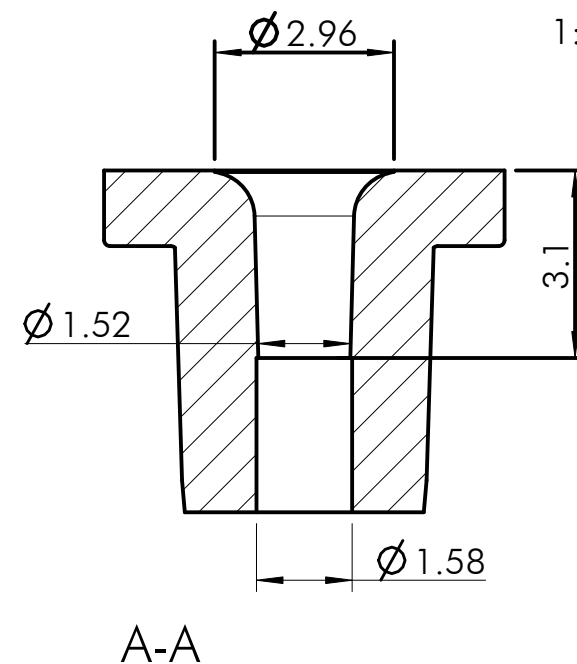
contour for clamping
1/16" tubing



Tube Tuck Connector
for 1/16"-tubing



8:1



A-A



1:1

all values without dimensions are in mm

		Tolerance ISO 8015 General Tolerance ISO 2768-mK
		Scale 8:1
Luer Tube Tuck Connector for 1/16" Tubing	Fluidic 1581	Created/changed on: 27.10.2023
	Page (1/1) Size A4	

M\F\00371_A4