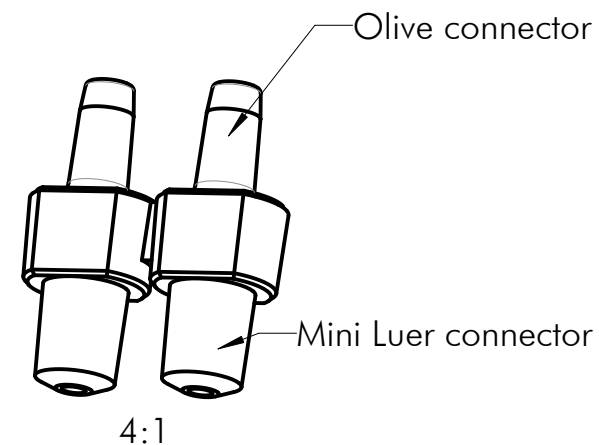
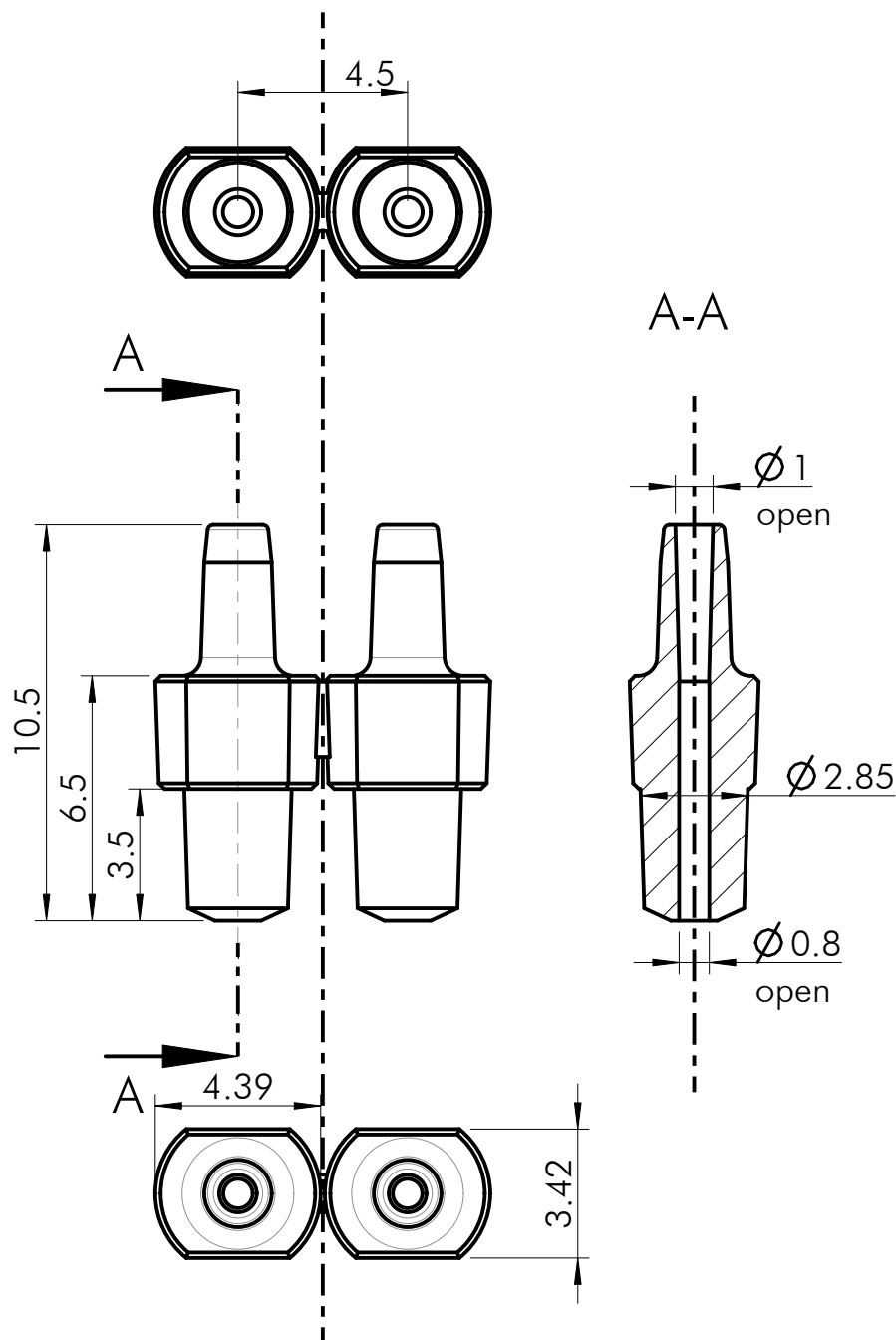




1:1



all values without dimensions are in mm

	Tolerance ISO 8015	
	General Tolerance ISO 2768-mK	
	Scale 5:1	
Mini Luer Fluid Connector (Twin)	Fluidic 332	Created/changed on: 22.04.2009
	Page (1/1)	
	Size A4	

MF00037\_A4