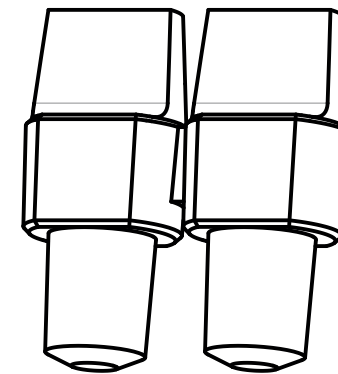
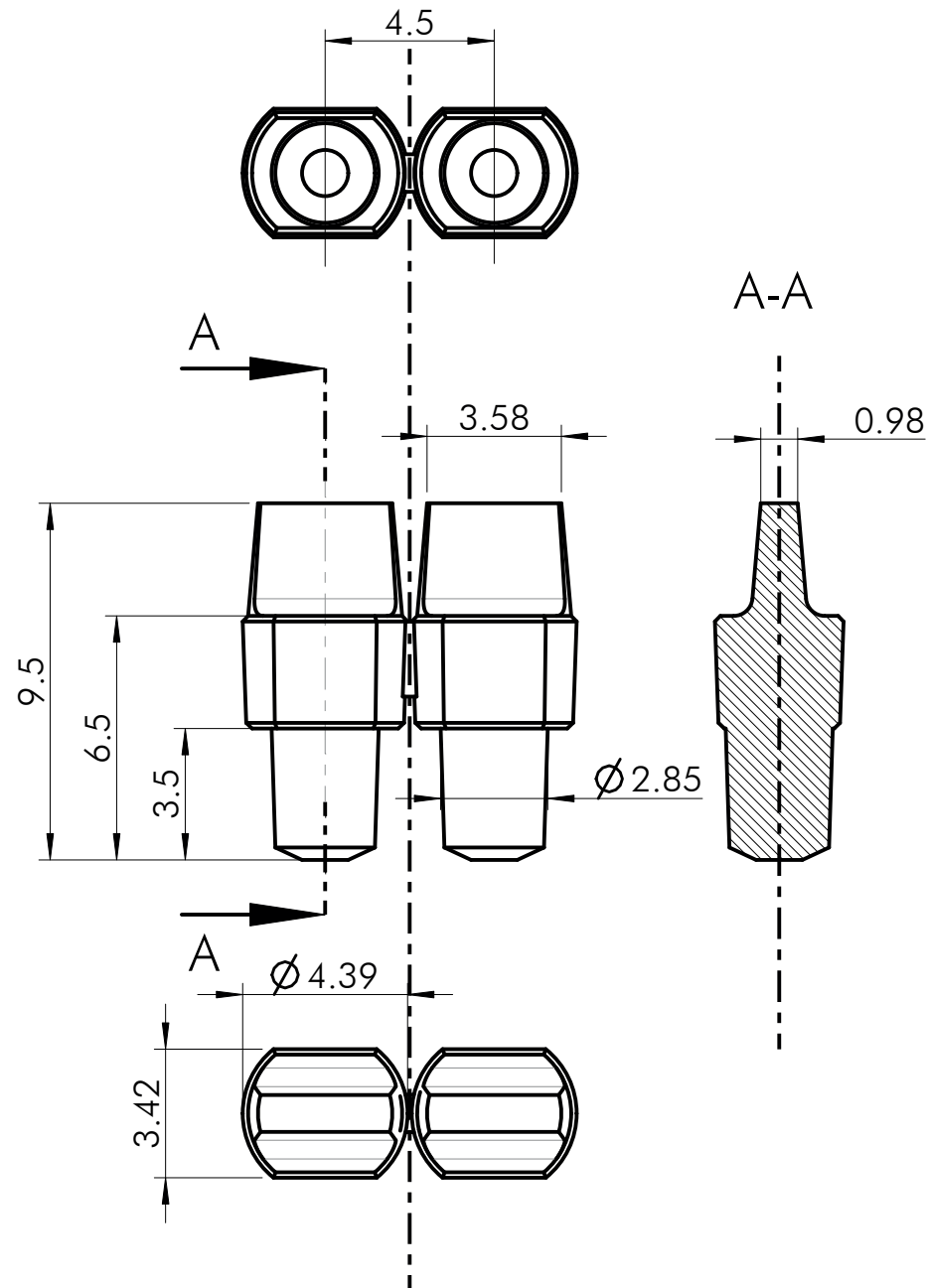




1:1



all values without dimensions are in mm

Male Mini Luer plug (Twin)	Fluidic 335	Tolerance ISO 8015
	Page (1/1)	General Tolerance ISO 2768-mK
	Size A4	Scale 5:1 Created/changed on: 21.04.2009

MF00037_A4