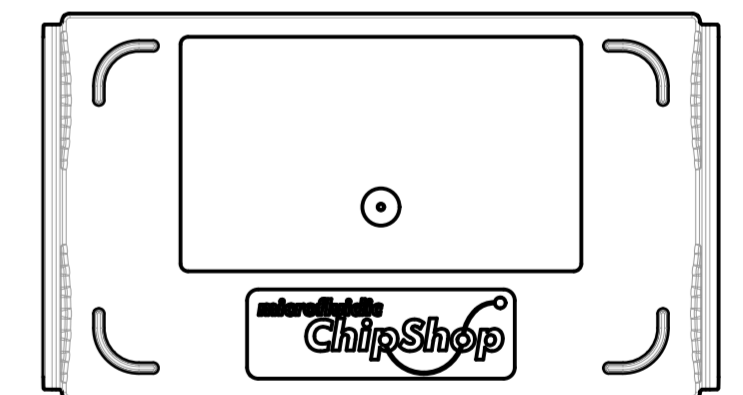
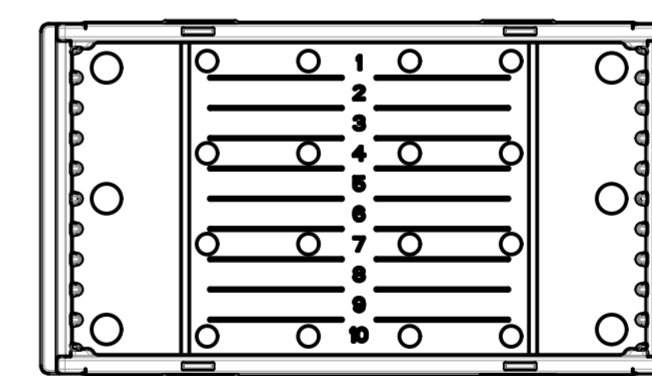
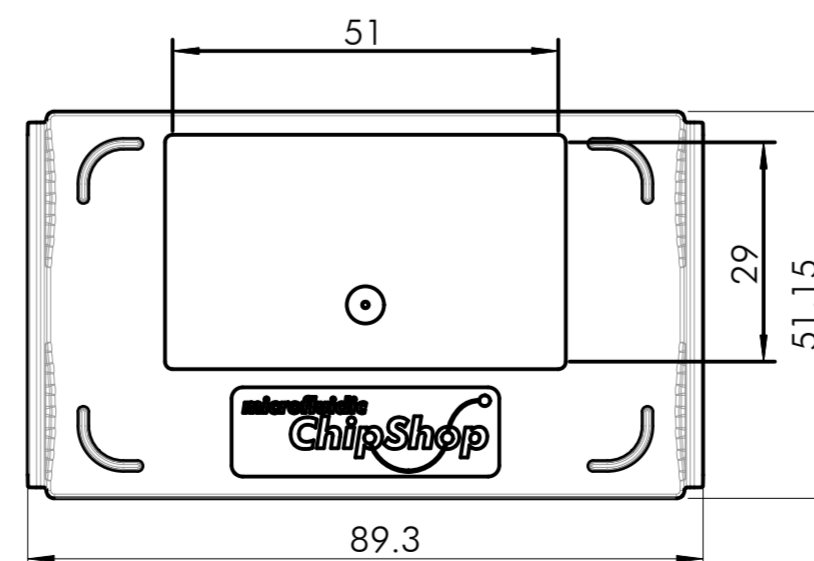
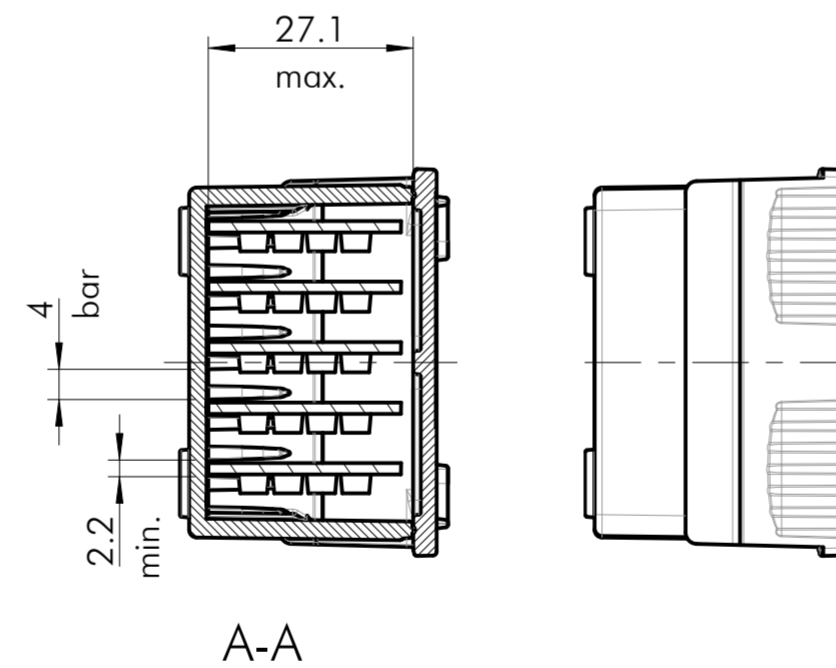
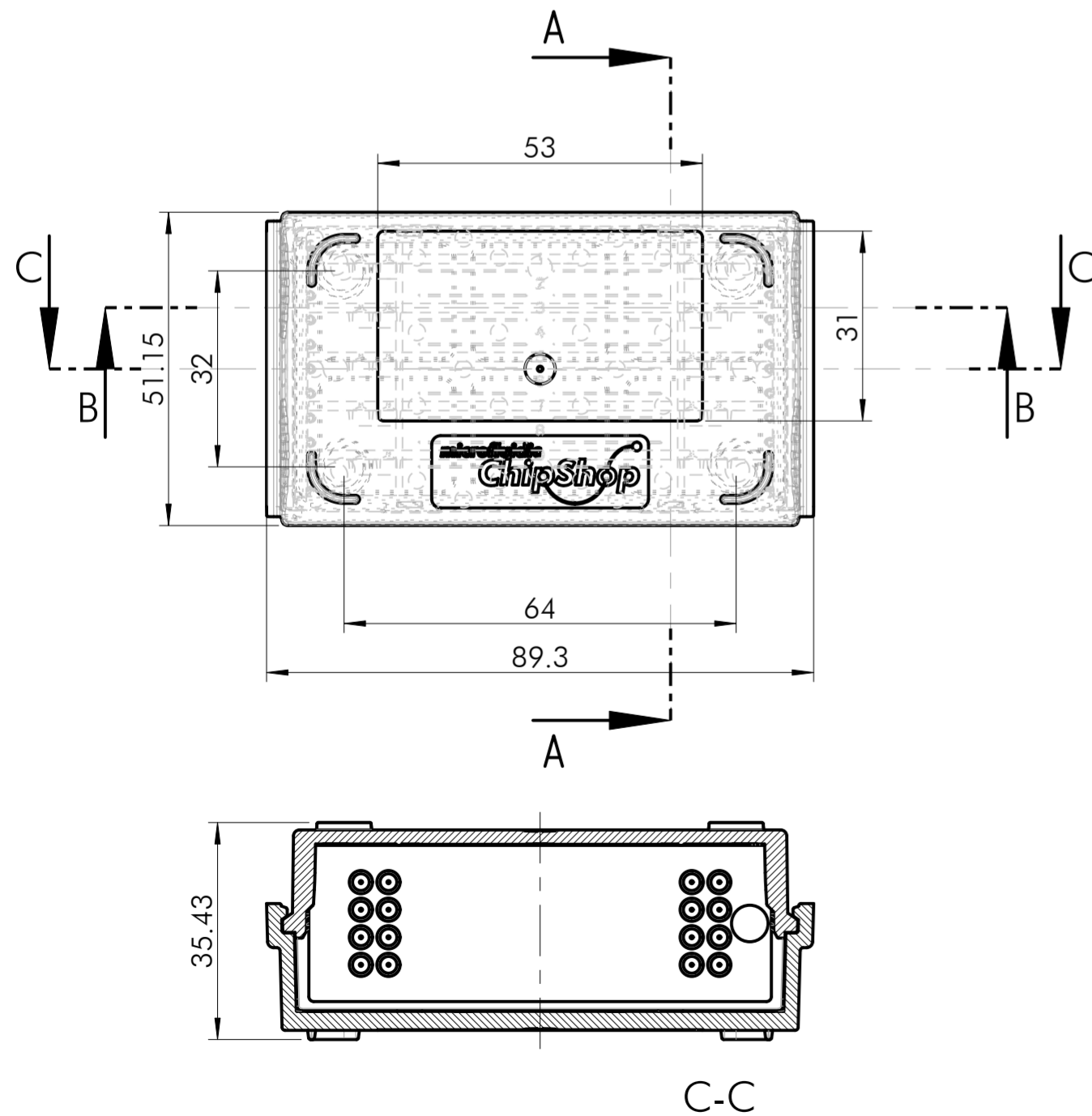
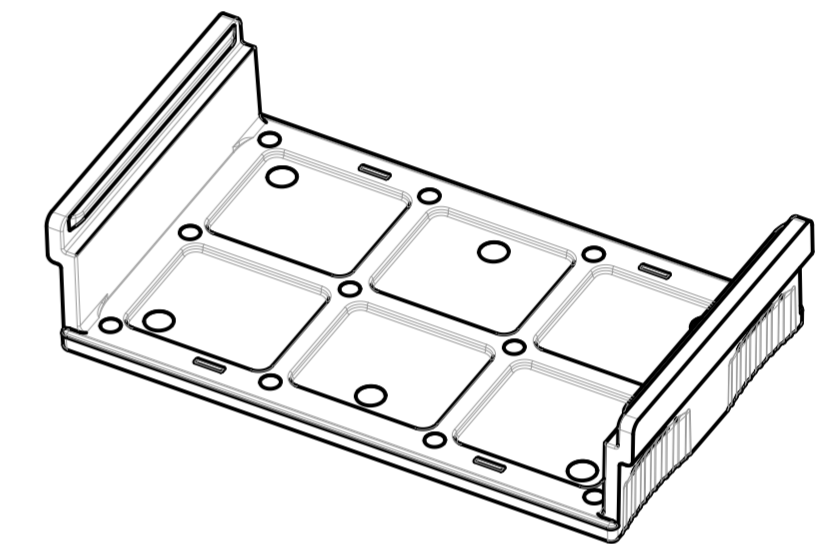
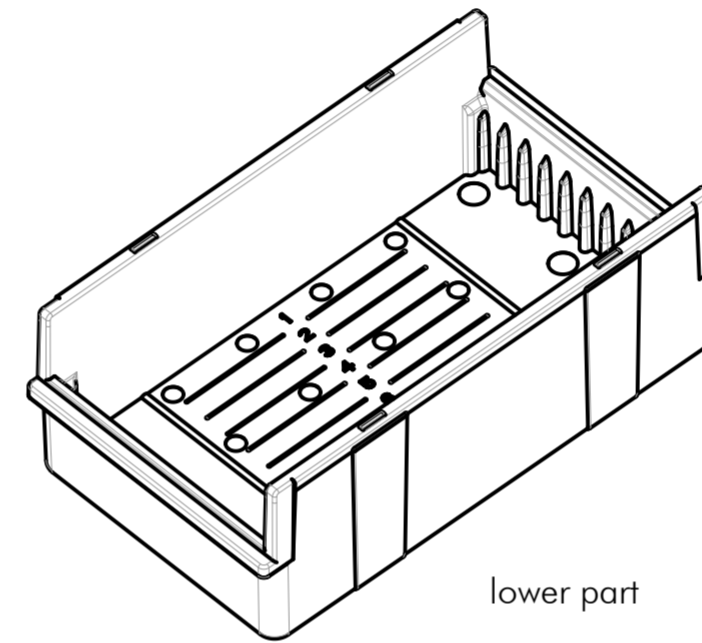
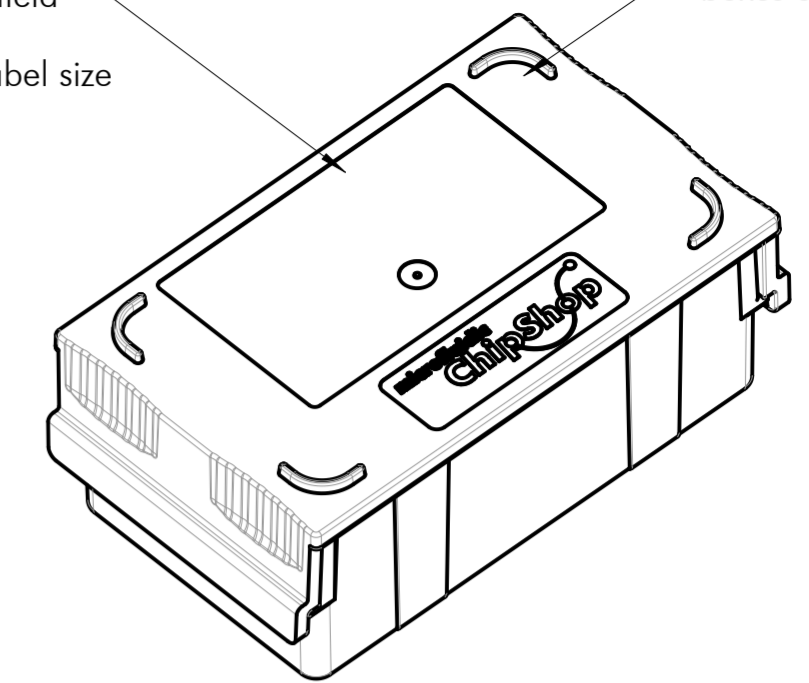


label field for 29x51 label size

boxes are stackable



all values without dimensions are in mm

	Tolerance ISO 8015	
	General Tolerance ISO 2768-mK	
	Scale 1:1	
Microfluidic device storage box - small	Fluidic 832	Created/changed on: 22.11.2017
	Page (1/1) Size A2	