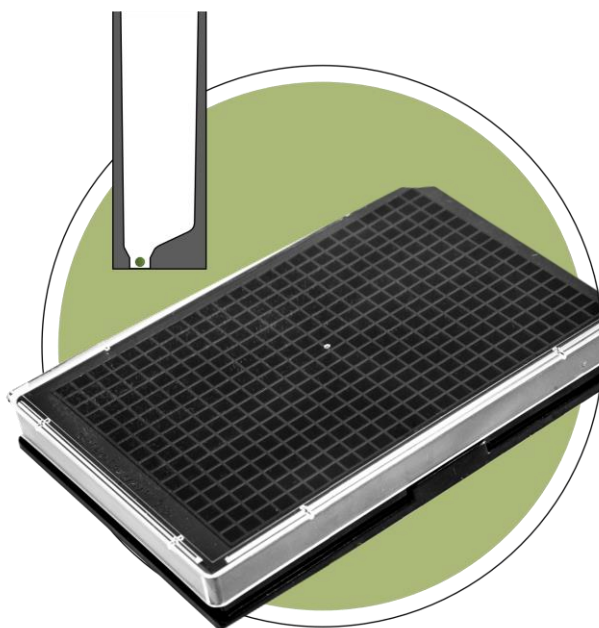




Akura™ 384 Spheroid

Microplate

## Technical Specifications



SPEC007, February 2023

## Akura™ 384 Spheroid Microplate Specifications

---

<b>Article number:</b>	CS-09-005-02
<b>Product name:</b>	Akura™ 384 Spheroid Microplate
<b>Pack size:</b>	10x Akura™ 384 Plates with lid, sterile, ultra-low attachment (ULA) coated wells
<b>Plate &amp; lid material:</b>	Black-walled Polystyrene body bonded to transparent, continuous, 125 µm Polystyrene membrane, Polystyrene lid
<b>ULA coating:</b>	ULA coated Akura™ plate surfaces are hydrophilic, neutrally charged and promote the formation and long-term maintenance (>4 weeks) of 3D cell cultures.

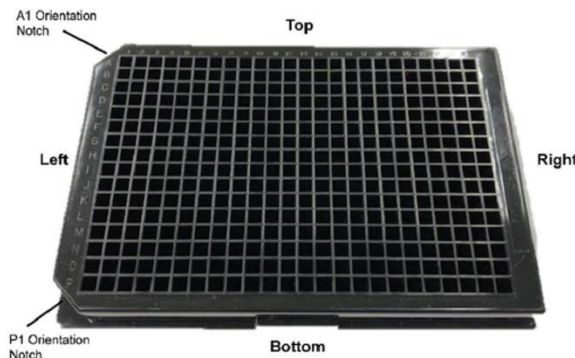
### Plate Dimensions:

Plate length:	127.76 mm
Plate width:	85.48 mm
Height of plate:	14.80 mm
Height of well:	11.93 mm
Skirt height:	2.77 mm
Diameter well bottom:	1.00 mm
Thickness well bottom:	0.125 mm
A1 to top offset:	9.89 mm
A1 to side offset:	12.13 mm
Well center to cavity center offset:	0.90 mm
Working volume:	40-50 µl
Well-to-well distance:	4.5 mm

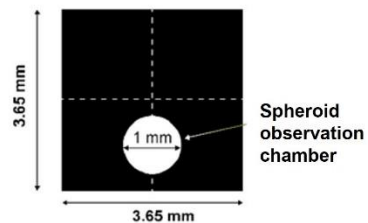
**Product Description:**

The Akura™ 384 Plate format is compliant with standard microplate definitions as specified by the SLAS Microplate Standards Advisory Committee ANSI SLAS 1-2004 (R2012). The 384 wells are arranged in 16 rows and 24 columns, identified by alphanumeric well markings on the left side from top to bottom (A-P) and on the top from left to right (1-24). Plate orientation notches are located at the A1 and P1 well corners (Figure 1A). Individual wells show a regular wide opening at the top narrowing down into a small, asymmetric cavity at the well bottom, with a flat optically clear base (Figure 1B), designed to accommodate spheroids of up to 1 mm in diameter. Spheroids in wells can be observed using standard imaging equipment (Figure 1C, D). The Akura™ 384 Spheroid Microplate Technical Specifications provides additional details about plate design and dimensions (Figure 2-4).

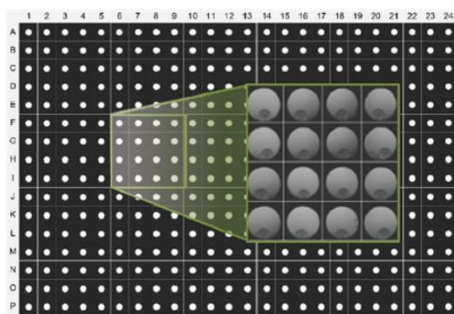
**A Akura™ 384 Plate design**



**B Well dimensions and spheroid position**



**C Imaging scans of spheroids in wells**



**D Spheroid in 1 mm observation chamber**

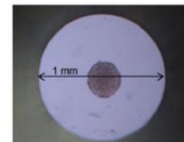


Figure 1: A. Akura™ 384 Plate. B. Overhead view of well dimensions and 1 mm spheroid observation chamber. C. Imaging scan of an Akura™ 384 Plate shows one spheroid per well and the position of each spheroid within the observation chamber. D. Image of a spheroid within the 1 mm spheroid observation chamber.

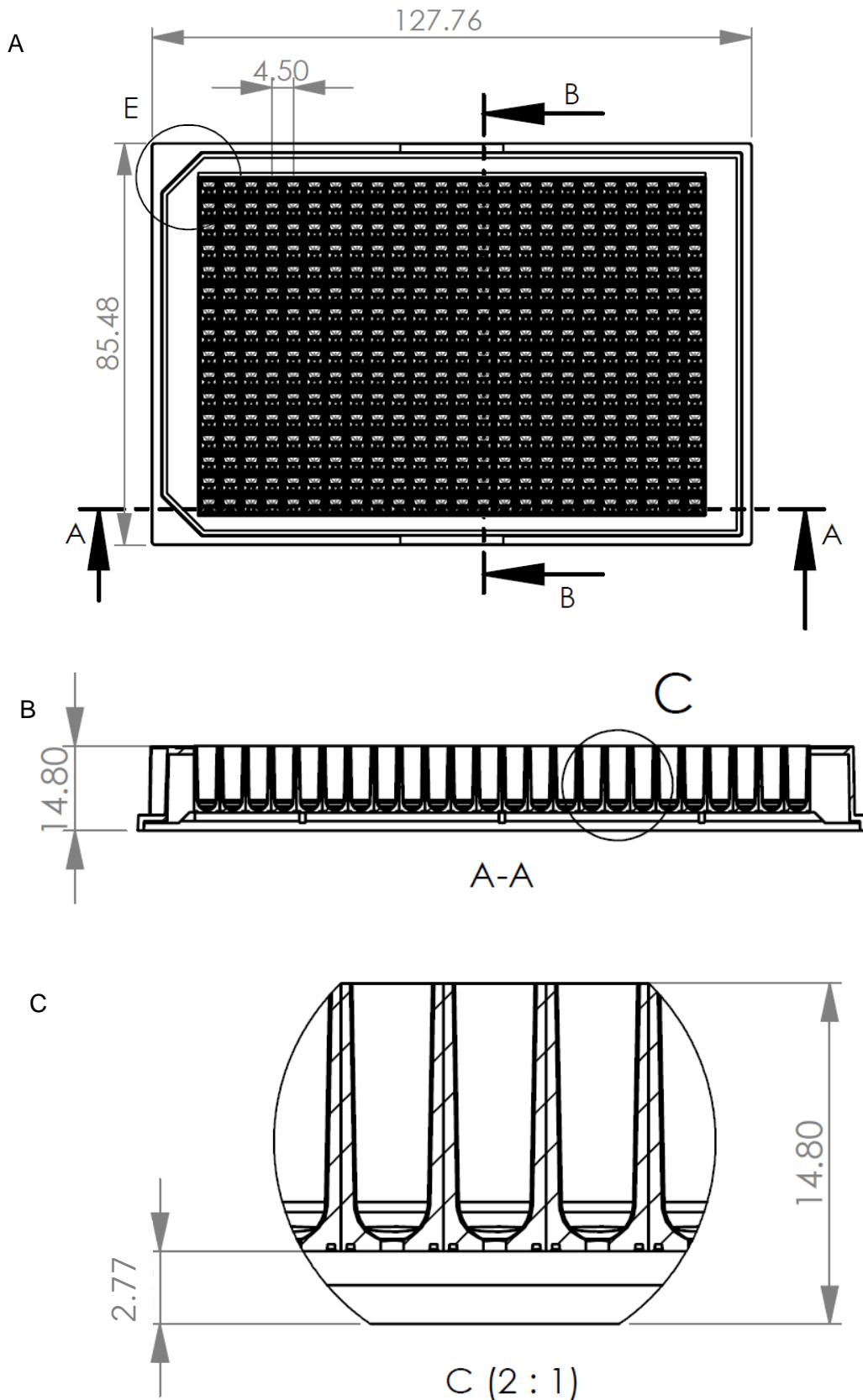


Figure 2: A. Plate layout. B. Row cross section with plate height and C. Skirt height (distance between plate bottom and rim).

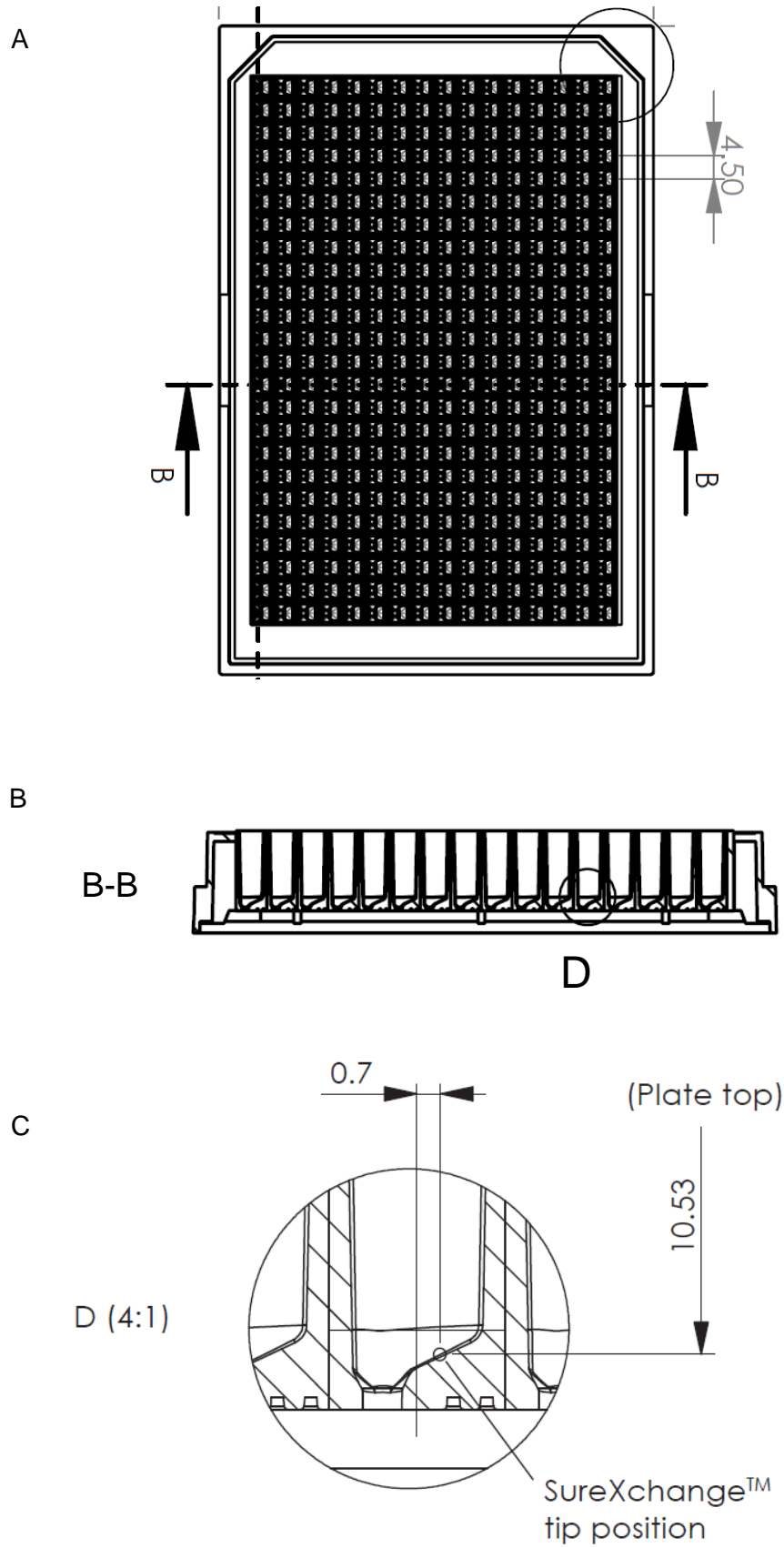


Figure 3: A. Vertically oriented plate layout. B. Row cross section and C. Well cross section with SureXchange™ tip position in mm.

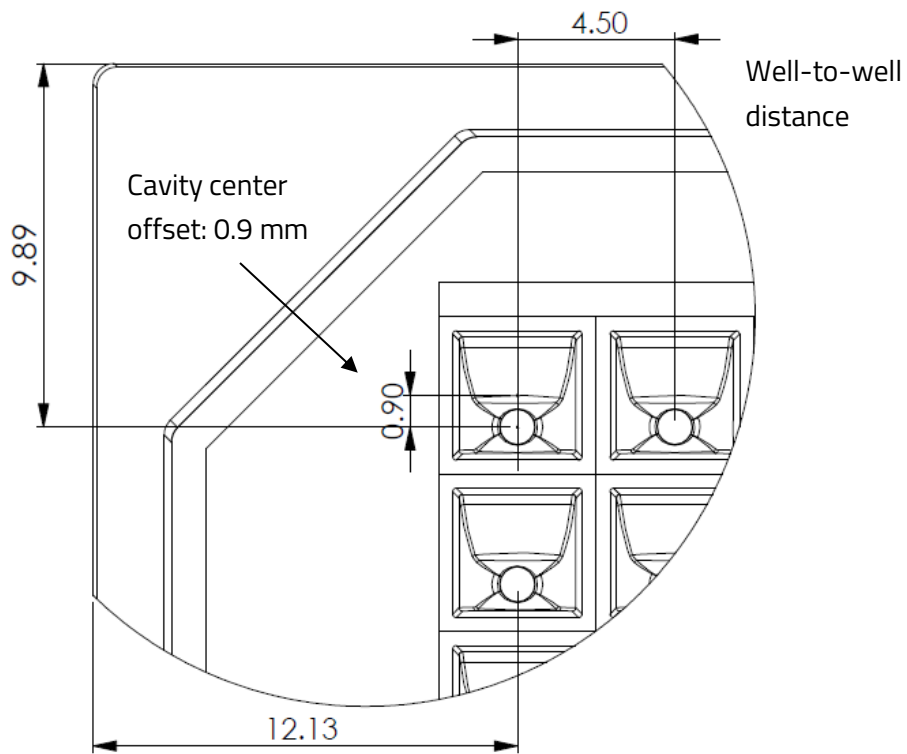
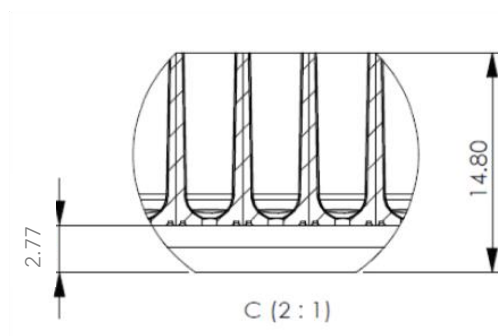


Figure 4: Top-down view showing cavity center offset.

**Akura™ 384 Spheroid Microplate restrictions:**

The skirt height of the Akura™ 384 Plate is 2.77 mm. The skirt height is the distance between the well bottom (the 125 µm membrane) and the plate skirt (Figure 5). This design may restrict certain high NA objectives and immersion objectives to reach the outer wells of the plate.



*Figure 5: A. Fluorescent ring around well in DAPI/Hoechst channel. B. Skirt height of 2.77 mm does not allow high NA and water immersion objectives to be used for outer wells.*



**InSphero AG**  
Schlieren, Switzerland

**InSphero Inc.**  
Brunswick, ME, USA

If you have more questions, please refer to  
the **FAQs** section on [shop.insphero.com](https://shop.insphero.com)

Sign up for latest news and updates at  
[insphero.com/newsletter](https://insphero.com/newsletter)

Follow us on LinkedIn and Twitter

**InSphero is ISO 9001:2015 certified**

All rights reserved, © 2021 InSphero AG.  
3D InSight, Akura and InFloat are  
trademarks of InSphero AG. For life  
science research only. Not for use in  
diagnostic procedures.